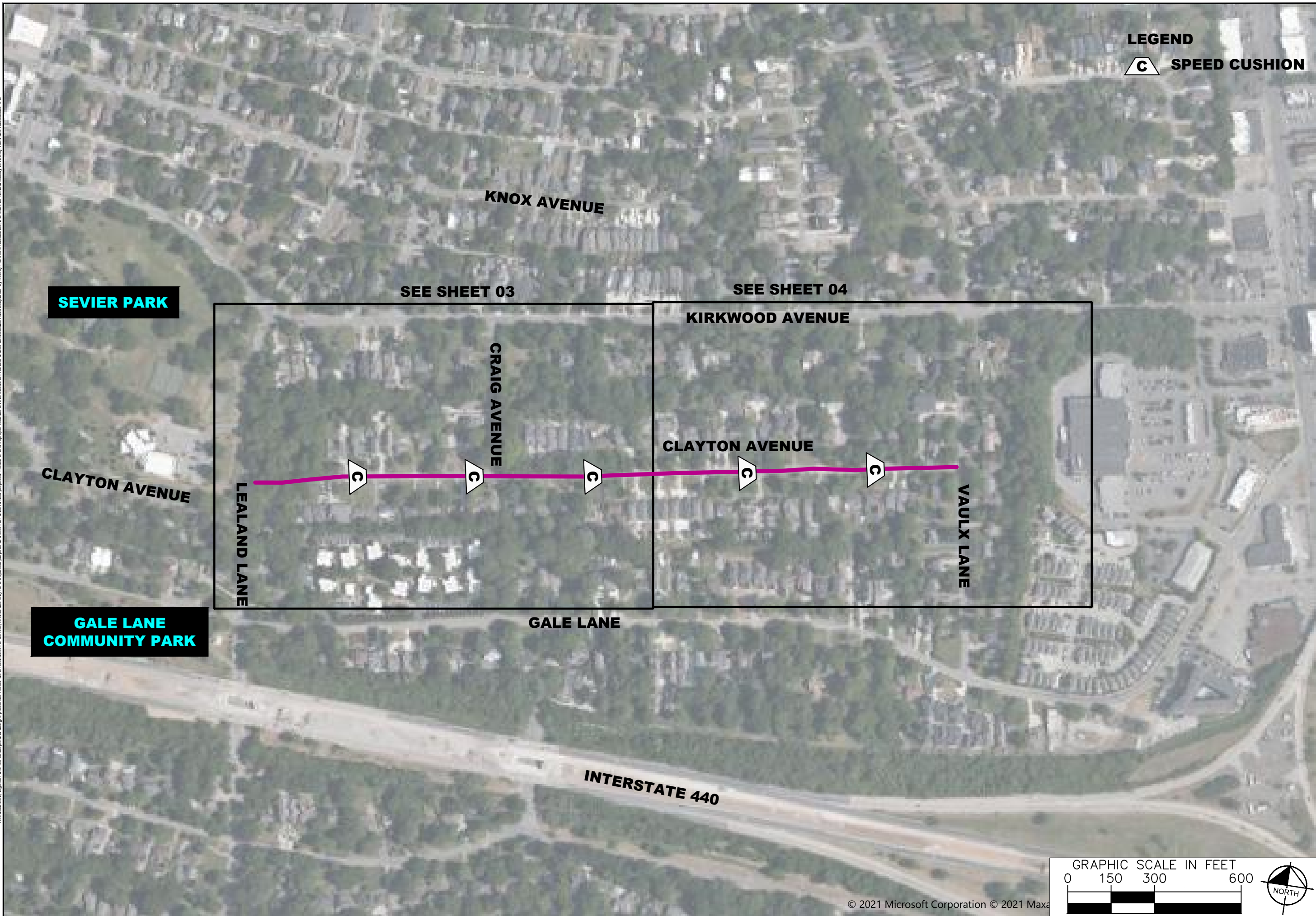


This document, together with the concepts and designs presented herein, is intended only for the specific purpose and client for which it was prepared. Release of and improper reliance on the documents without written authorization and adaptation by Kimley-Horn and Associates, Inc. shall be without liability to Kimley-Horn and Associates, Inc.



LEGEND
C SPEED CUSHION



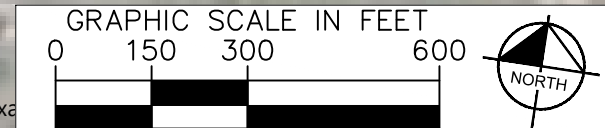
**SEVIER PARK
TRAFFIC CALMING
NASHVILLE, TN**

**DRAFT
PRELIMINARY
PLANS
FOR REVIEW ONLY**

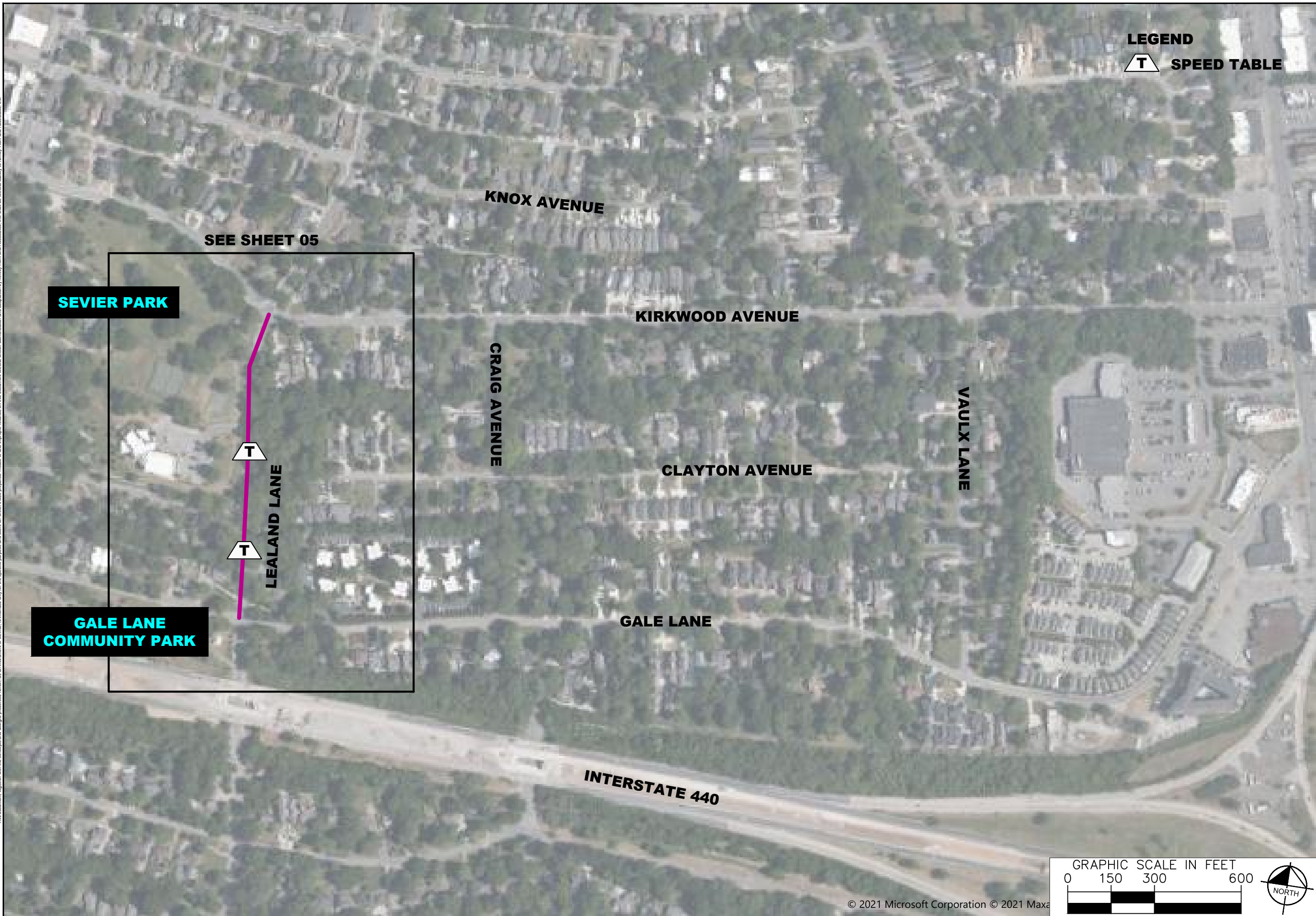
NO.	REVISIONS	DATE	BY
1			
2			
3			
4			
5			
6			
7			
8			
9			
10			

DESIGNED BY: RBW
 DRAWN BY: EJM
 CHECKED BY: NDOT
 DATE: 10/20/2022
 KIMLEY-HORN PROJECT NO. 118000005

KEY
 SHEET NUMBER
01



This document, together with the concepts and designs presented herein, is intended only for the specific purpose and client for which it was prepared. Reuse of and improper reliance on the documents without written authorization and adaptation by Kimley-Horn and Associates, Inc. shall be without liability to Kimley-Horn and Associates, Inc.



LEGEND
 **SPEED TABLE**



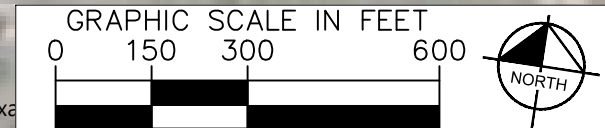
SEVIER PARK
TRAFFIC CALMING
NASHVILLE, TN

DRAFT
PRELIMINARY
PLANS
FOR REVIEW ONLY

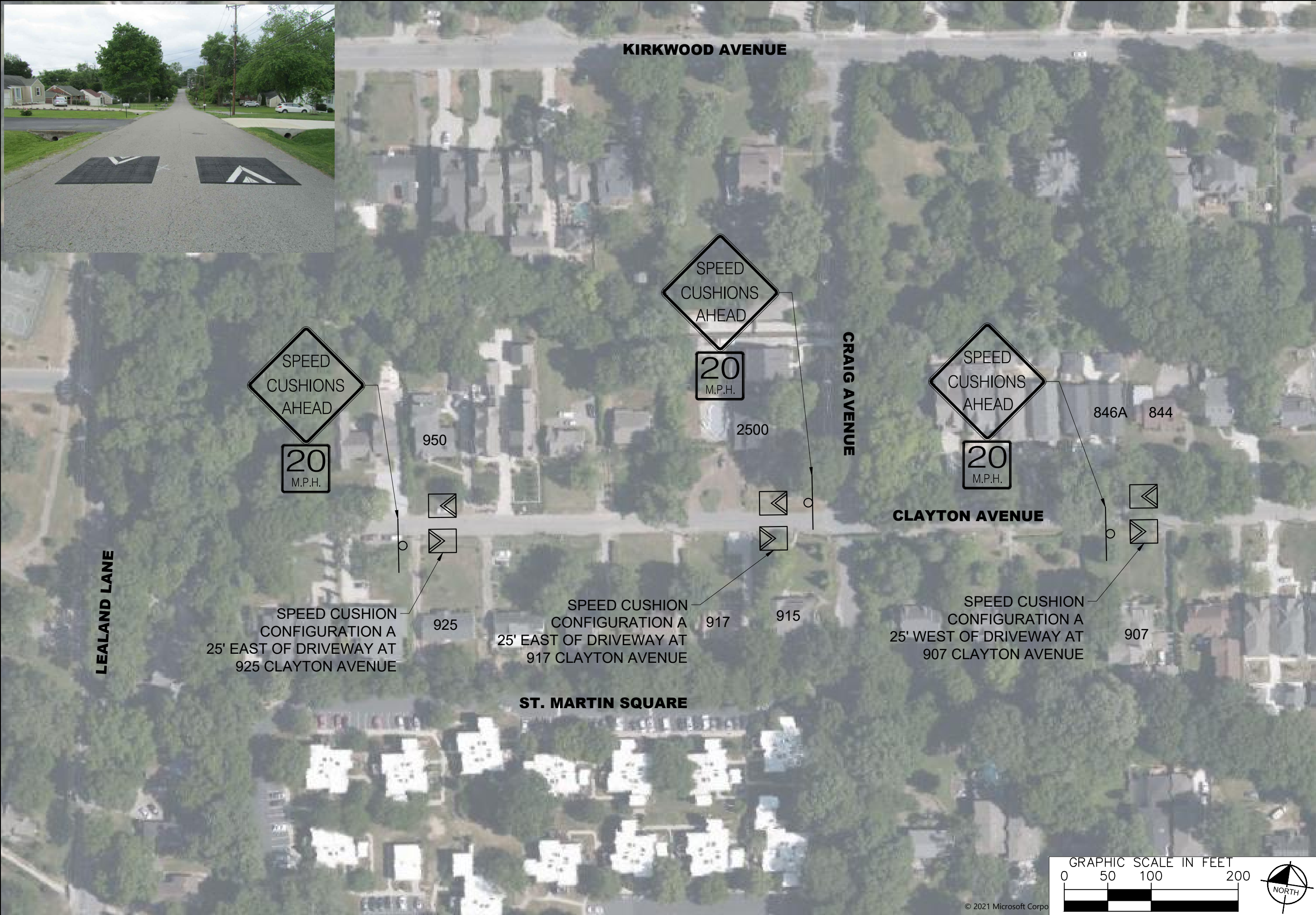
NO.	REVISIONS	DATE	BY
1			
2			
3			
4			
5			
6			
7			
8			
9			
10			

DESIGNED BY: _____ RBW
 DRAWN BY: _____ EJM
 CHECKED BY: _____ NDOT
 DATE: 10/20/2022
 KIMLEY-HORN PROJECT NO. 118000005

KEY
 SHEET NUMBER
02



This document, together with the concepts and designs presented herein, is intended only for the specific purpose and client for which it was prepared. Reuse of and improper reliance on this document without written authorization and adaptation by Kimley-Horn and Associates, Inc. shall be without liability to Kimley-Horn and Associates, Inc.



NO.	DATE	BY	REVISIONS
1			
2			
3			
4			
5			
6			
7			
8			
9			
10			

DESIGNED BY: RBW
 DRAWN BY: EJW
 CHECKED BY: NDOT
 DATE: 10/20/2022
 KIMLEY-HORN PROJECT NO. 118000005

CONCEPT PLAN
 SHEET NUMBER
03

This document, together with the concepts and designs presented herein, is intended only for the specific purpose and client for which it was prepared. Reuse of and improper reliance on this document without written authorization and adaptation by Kimley-Horn and Associates, Inc. shall be without liability to Kimley-Horn and Associates, Inc.



KIRKWOOD AVENUE

CLAYTON AVENUE

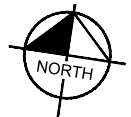
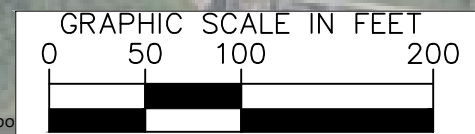
VAULT LANE



SPEED CUSHION CONFIGURATION A
40' WEST OF DRIVEWAY AT
830B CLAYTON AVENUE



SPEED CUSHION CONFIGURATION A
35' WEST OF DRIVEWAY AT
819 CLAYTON AVENUE



NDOT

**SEVIER PARK
TRAFFIC CALMING
NASHVILLE, TN**

**DRAFT
PRELIMINARY
PLANS
FOR REVIEW ONLY**

NO.	DATE	BY	REVISIONS
1			
2			
3			
4			
5			
6			
7			
8			
9			
10			

DESIGNED BY: RBW
DRAWN BY: EJW
CHECKED BY: NDOT
DATE: 10/20/2022
KIMLEY-HORN PROJECT NO. 11800005

CONCEPT PLAN
SHEET NUMBER
04

This document, together with the concepts and designs presented herein, is intended only for the specific purpose and client for which it was prepared. Reuse of and improper reliance on this document without written authorization and adaptation by Kimley-Horn and Associates, Inc. shall be without liability to Kimley-Horn and Associates, Inc.



**GALE LANE
COMMUNITY PARK**

SEVIER PARK



SPEED TABLE
CONFIGURATION B
50' SOUTH OF ENTRANCE AT
3021 LEALAND LANE

SPEED TABLE
CONFIGURATION B
30' NORTH OF DRIVEWAY AT
3104 LEALAND LANE



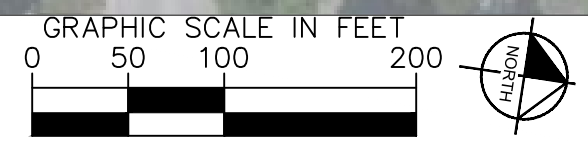
**SEVIER PARK
TRAFFIC CALMING
NASHVILLE, TN**

**DRAFT
PRELIMINARY
PLANS
FOR REVIEW ONLY**

NO.	REVISIONS	DATE	BY
1			
2			
3			
4			
5			
6			
7			
8			
9			
10			

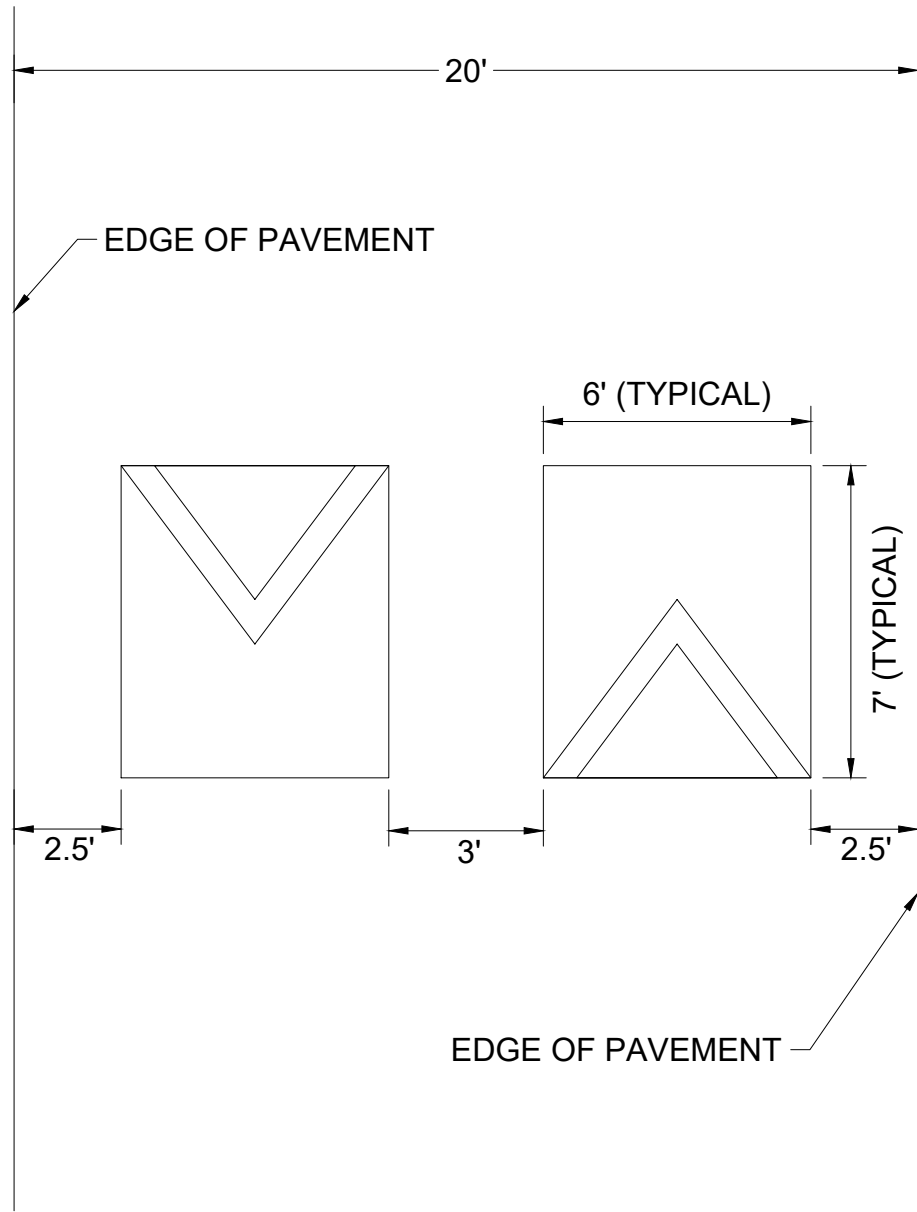
DESIGNED BY: RBW
DRAWN BY: EJW
CHECKED BY: NDOT
DATE: 10/20/2022
KIMLEY-HORN PROJECT NO. 118000005

CONCEPT PLAN
SHEET NUMBER
05

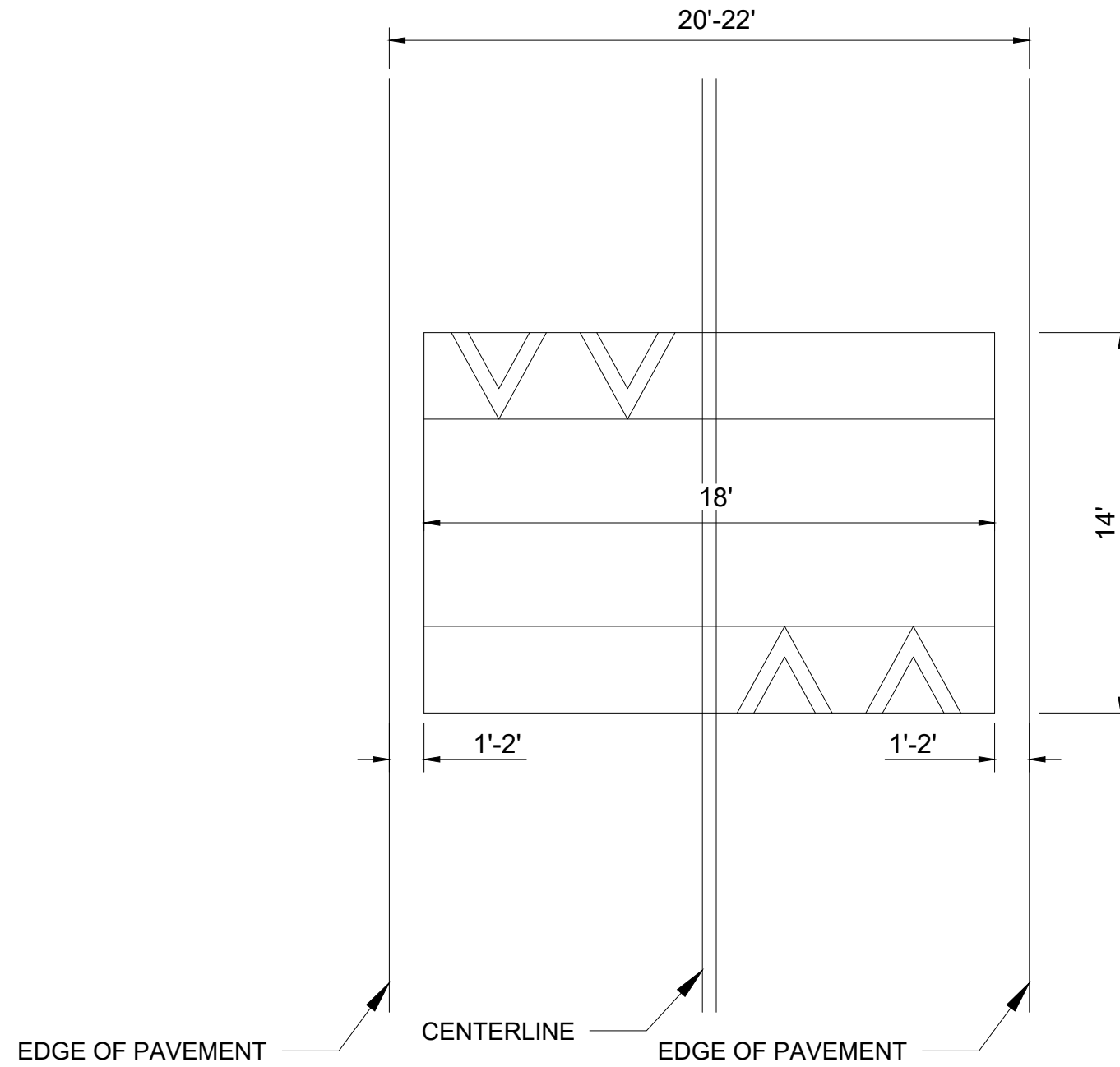


This document, together with the concepts and designs presented herein, is intended only for the specific purpose and client for which it was prepared. Results and proper reliance on this document without written authorization and adaptation by Kimley-Horn and Associates, Inc. shall be without liability to Kimley-Horn and Associates, Inc.

CONFIGURATION A: SPEED CUSHION



CONFIGURATION B: SPEED TABLE



NO.	DATE	BY
1		
2		
3		
4		
5		
6		
7		
8		
9		
10		

DESIGNED BY: RBW
 DRAWN BY: EJW
 CHECKED BY: NDOT
 DATE: 10/20/2022
 KIMLEY-HORN PROJECT NO. 118000005

DETAIL

SHEET NUMBER
06