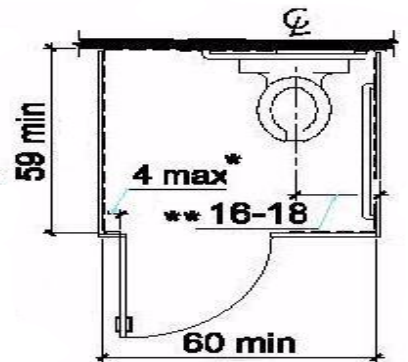
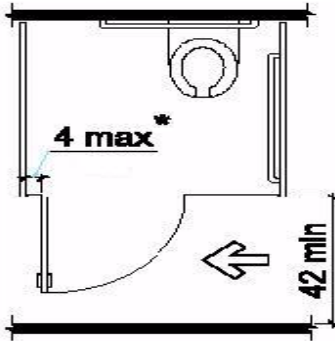
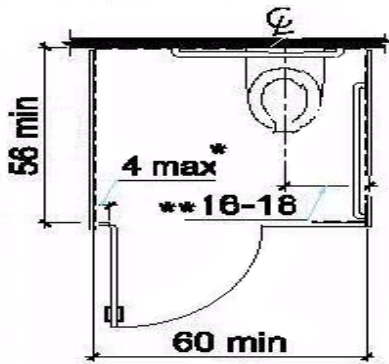


**Standard Water Closet**  
All measurements are in inches.

Clear floor spaces and centerline of water closets.



42" from outside of door to obstruction

\* Measurement is from inside partition/wall to inside of water closet door.

\*\* Measurement is from centerline of toilet to finished wall/partition.

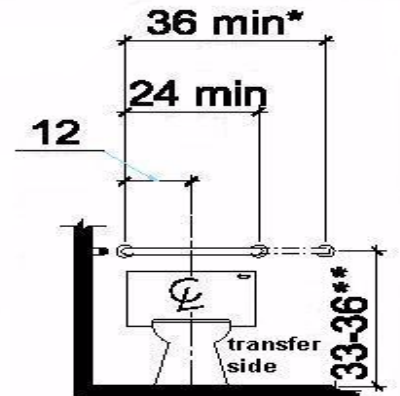
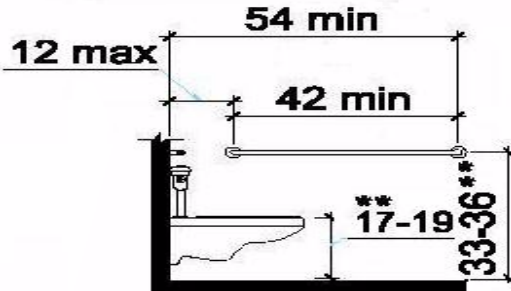
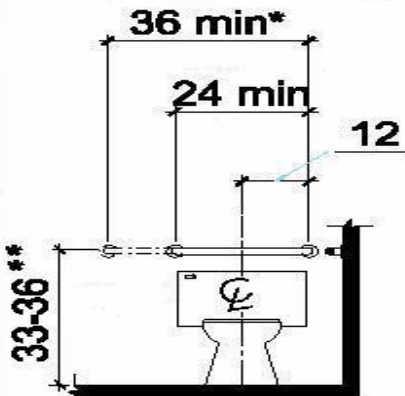
(a)

wall hung water closet

(b)

floor mounted water closet

grab bars and toilet height



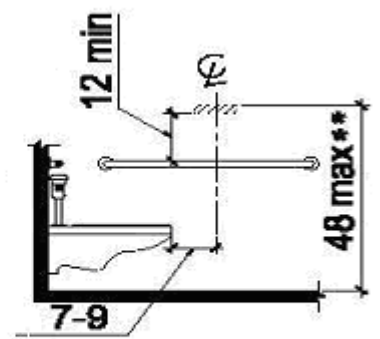
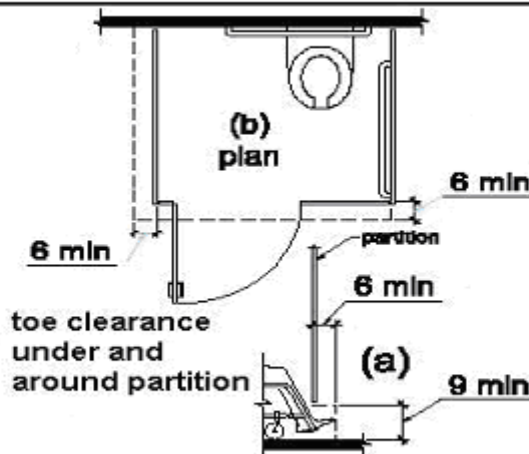
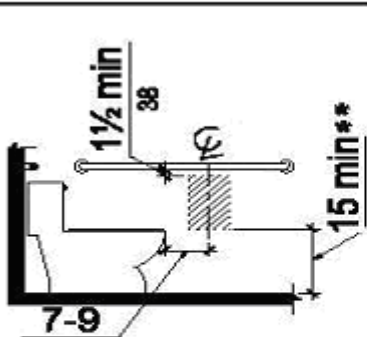
(a)

\* NOTE: 36 inches (915 mm) minimum when wall space permits.

\*\* Measurement is from the finished floor.

(b)

toe clearance and dispenser heights and location



(a)  
below grab bar

toe clearance under and around partition

(a)

(b)  
above grab bar

\*\* Measurement is from the finished floor. The measurement is from the floor to where the paper is dispensed.

1. Doors

- a. Shall be self closing.
- b. Door pulls complying with 404.2.7 (Fed. Reg.) are needed on both sides of the door.
- c. Coat hooks should be located within a reach range complying with 308 (Fed. Reg.).