

This document, together with the concepts and designs presented herein, is intended only for the specific purpose and client for which it was prepared. Reuse of and improper reliance on this document without written authorization and adaptation by Kimley-Horn and Associates, Inc. shall be without liability to Kimley-Horn and Associates, Inc.

LEGEND
 **SPEED TABLE**



**CASTLEGATE
TRAFFIC CALMING
NASHVILLE, TN**

**DRAFT
PRELIMINARY
PLANS
FOR REVIEW ONLY**

NO.	DATE	BY	REVISIONS
1			
2			
3			
4			
5			
6			
7			
8			
9			
10			

DESIGNED BY: ALB
 DRAWN BY: EJV
 CHECKED BY: NDQT
 DATE: 8/15/2022
 KIMLEY-HORN PROJECT NO. 118000005
 CONCEPT PLAN
 SHEET NUMBER
01

SMITH SPRINGS ROAD

ANDERSON ROAD

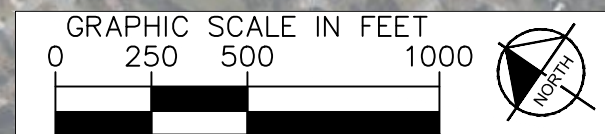
SEE SHEET 02

SEE SHEET 03

SEE SHEET 04

SEE SHEET 05

CASTLEGATE DRIVE



NO.	DATE	BY	REVISIONS
1			
2			
3			
4			
5			
6			
7			
8			
9			
10			

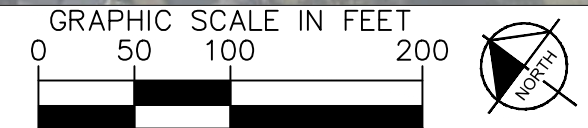
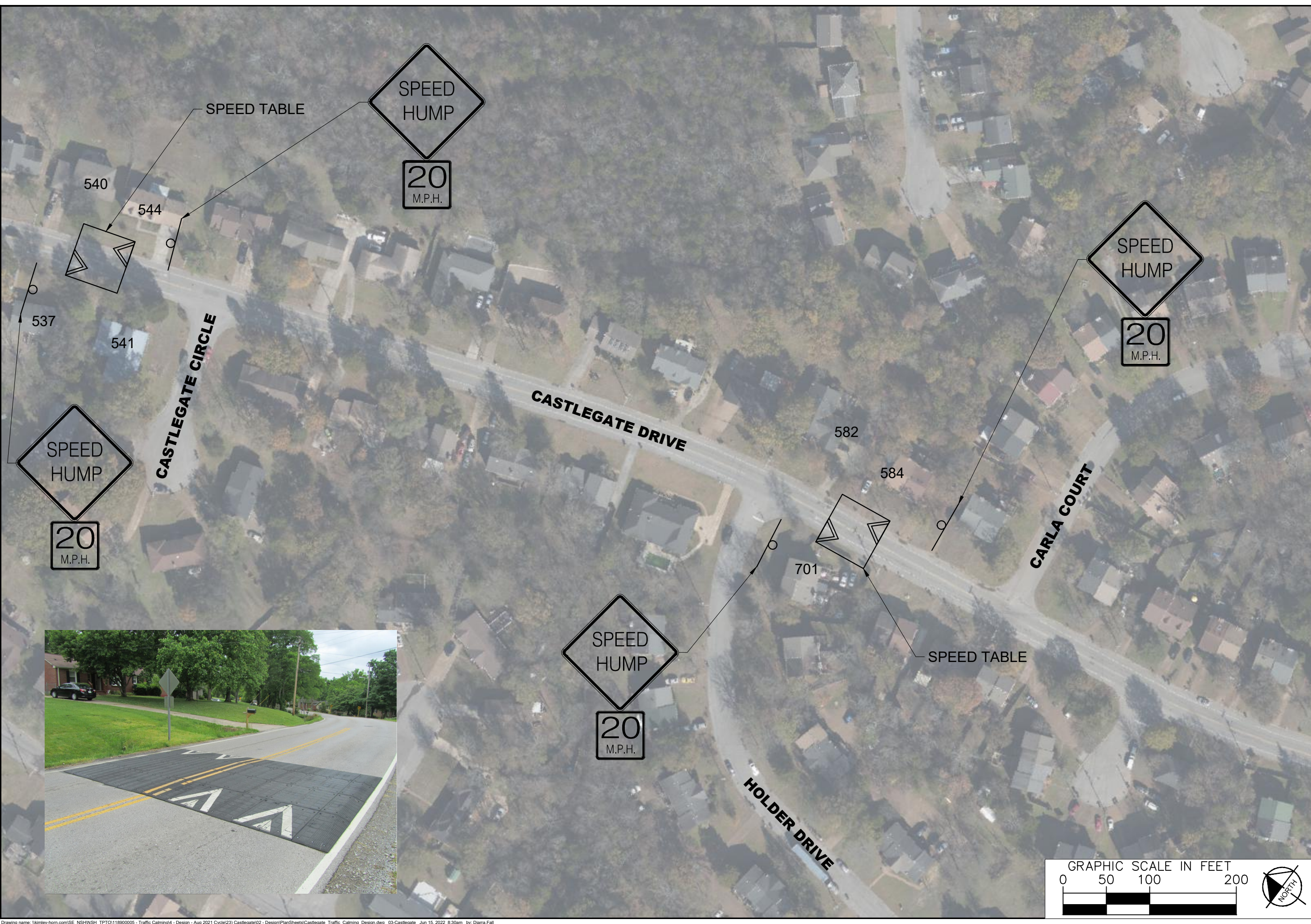
DESIGNED BY:	ALB
DRAWN BY:	EJW
CHECKED BY:	NDQT
DATE:	8/15/2022
KIMLEY-HORN PROJECT NO.	11800005

CONCEPT PLAN
SHEET NUMBER
02



This document, together with the concepts and designs presented herein, is intended only for the specific purpose and client for which it was prepared. Reuse of and improper reliance on this document without written authorization and adaptation by Kimley-Horn and Associates, Inc. shall be without liability to Kimley-Horn and Associates, Inc.

NO.	BY	DATE	REVISIONS
1			
2			
3			
4			
5			
6			
7			
8			
9			
10			



This document, together with the concepts and designs presented herein, is intended only for the specific purpose and client for which it was prepared. Reuse of and improper reliance on this document without written authorization and adaptation by Kimley-Horn and Associates, Inc. shall be without liability to Kimley-Horn and Associates, Inc.

The document, together with the concepts and designs presented herein, is intended only for the specific purpose and client for which it was prepared. Reuse of and improper reliance on this document without written authorization and adaptation by Kimley-Horn and Associates, Inc. shall be without liability to Kimley-Horn and Associates, Inc.



NDOT

**CASTLEGATE
TRAFFIC CALMING
NASHVILLE, TN**

**DRAFT
PRELIMINARY
PLANS
FOR REVIEW ONLY**

NO.	BY	DATE	REVISIONS
1			
2			
3			
4			
5			
6			
7			
8			
9			
10			

DESIGNED BY: ALB
 DRAWN BY: EJV
 CHECKED BY: NDOT
 DATE: 6/15/2022
 KIMLEY-HORN PROJECT NO. 11800005

CONCEPT PLAN
 SHEET NUMBER
04

This document, together with the concepts and designs presented herein, is intended only for the specific purpose and client for which it was prepared. Reuse of and improper reliance on this document without written authorization and adaptation by Kimmey-Horn and Associates, Inc. shall be without liability to Kimmey-Horn and Associates, Inc.

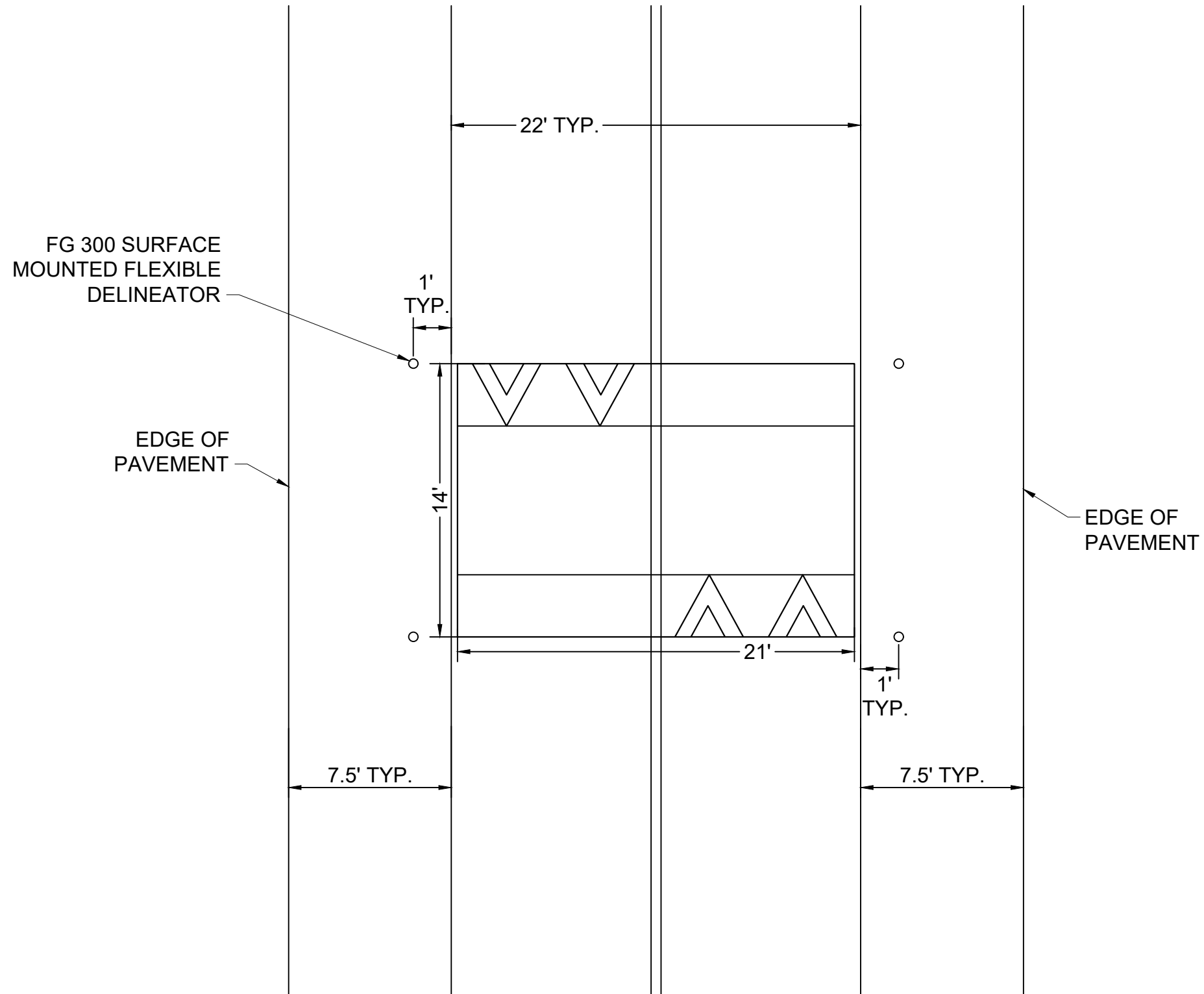


NO.	REVISIONS	DATE	BY
1			
2			
3			
4			
5			
6			
7			
8			
9			
10			

DESIGNED BY:	ALB
DRAWN BY:	EJW
CHECKED BY:	NDQT
DATE:	8/15/2022
KIMMEY-HORN PROJECT NO.	11800005



CASTLEGATE DRIVE: SPEED TABLES WITH FLEXIBLE DELINEATORS



NO.	REVISIONS	DATE	BY
1			
2			
3			
4			
5			
6			
7			
8			
9			
10			

DESIGNED BY: ALB
 DRAWN BY: EJV
 CHECKED BY: NDQT
 DATE: 6/15/2022
 KIMLEY-HORN PROJECT NO. 11800005

CONCEPT PLAN

SHEET NUMBER
06

This document, together with the concepts and designs presented herein, is intended only for the specific purpose and client for which it was prepared. Review of and improper reliance on this document without written authorization and adaptation by Kimley-Horn and Associates, Inc. shall be without liability to Kimley-Horn and Associates, Inc.