



Dumpster Guidance

Purpose: The following reference material is to be used as a guide to facilitate compliance under the current Davidson County regulations from Metro Health, Water Services, Codes, and Public Works. New construction and retrofits are encouraged to adhere to the following requirements. Public Works Policy# SW 1-3 TITLE: DUMPSTER AND COMPACTOR STANDARDS has more details. While an effort has been made to consult with all agencies, the user is still required to pursue due diligence in complying with **all** pertinent local regulations and not simply those contained within this document.

1. All dumpsters must sit on a concrete pad. Trash collection must occur at least once a week.
2. Minimum pad dimensions are 12' X 12' with 8" thick concrete, reinforced with rebar to support 30—ton load bearing capacity
3. Dumpster pads with **NO** drain should be elevated about 1 ½" above the surrounding pavement. These pads can be cleaned with **collect & capture** techniques (details below)
4. Pads with drains must route to the sanitary sewer (POTW), must be covered, and must be bermed, diked, or elevated (more details below). All discharges to the sanitary sewer must comply with Metro Code of Laws 15.60.
5. Food Service Establishments must route dumpster pad drains through grease control equipment first, then to the sewer.
6. **Under No Circumstances** will dumpster seepage or storm water contaminated with dumpster seepage be allowed to enter the storm water system (MS4), as it constitutes a violation of Metro's Illicit Discharge Ordinance §15.64.205.

Collect & Capture, Berming, Diking or Elevating

Goal: The concept of properly constructing dumpster pads with drains is to keep rain water out of the sanitary sewer and contaminated dumpster wash water out of the storm system (MS4). Metro currently has the following recommendations:

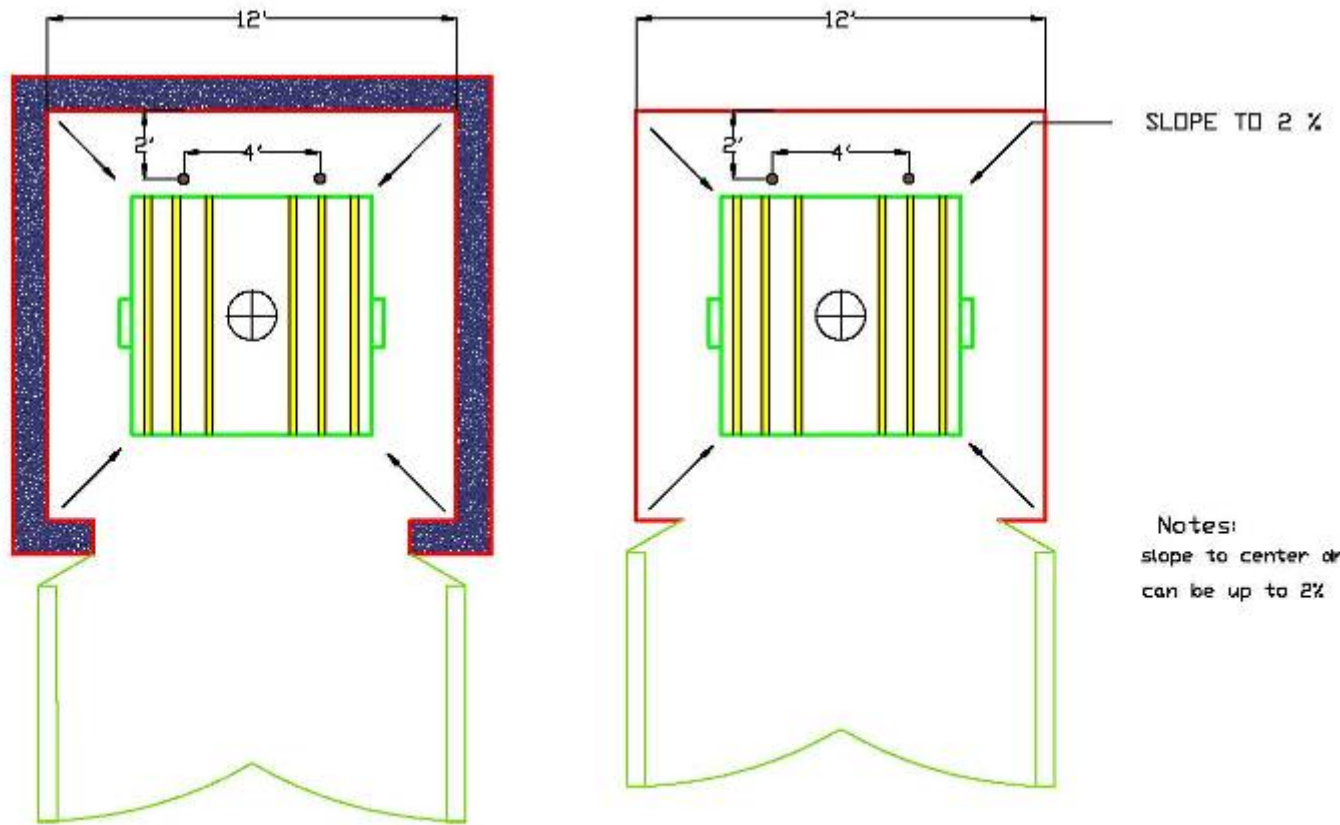
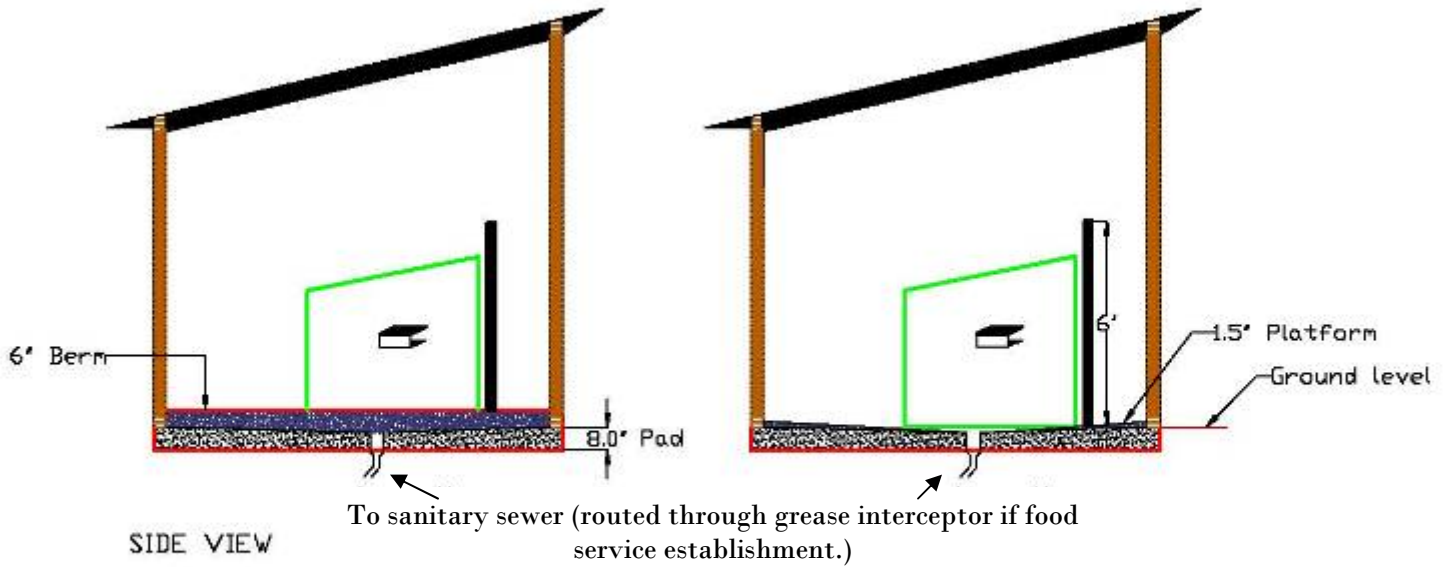
Collect & Capture: A cleaning technique for outside pads without drains. Wash water is pooled at a low point and collected with a device, like a shop vac or pump, so it is not allowed to drain off-site. The contaminated wash water must then be discharged into an approved sanitary drain. Appropriate drains shall include mop sinks, floor drains, or sewer cleanouts approved by MWS Environmental Compliance. Food Service Establishments must make sure the drain utilized for wash water disposal routes to the site's Grease Control Equipment.

Berming/Diking: A curb-like ridge or wall built around the dumpster pads with drains that effectively routes most storm water around the dumpster pad. The berm/dike contains contaminated dumpster wash water and routes it to the sanitary drain. An optional brick, wooden, or concrete wall can be constructed on top of the berm/dike for screening.

Elevating: Consists of a platform that is built up higher than the surrounding grade and sloped to a center drain or flat if no drain is installed. The platform effectively routes storm water around the dumpster pad and directs contaminated dumpster wash water into the sanitary drain.

Special Drain: In some circumstances, a special drain called a Demand Driven Wash down Diversion system can be installed that routes rain water to the storm system, but automatically switches during washing to route wash water to the sanitary sewer.

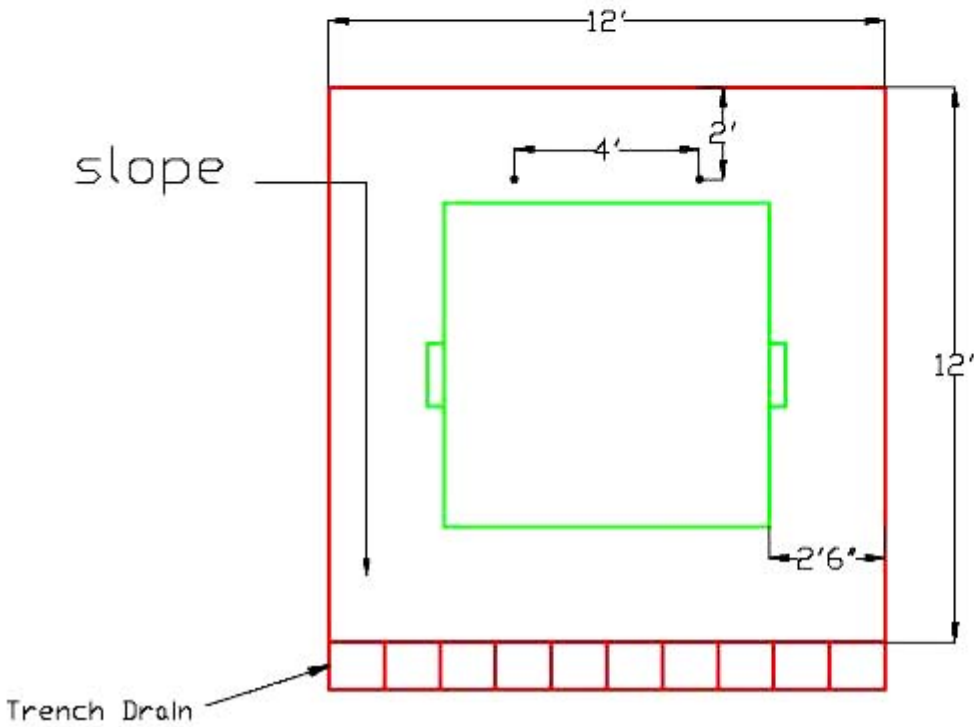
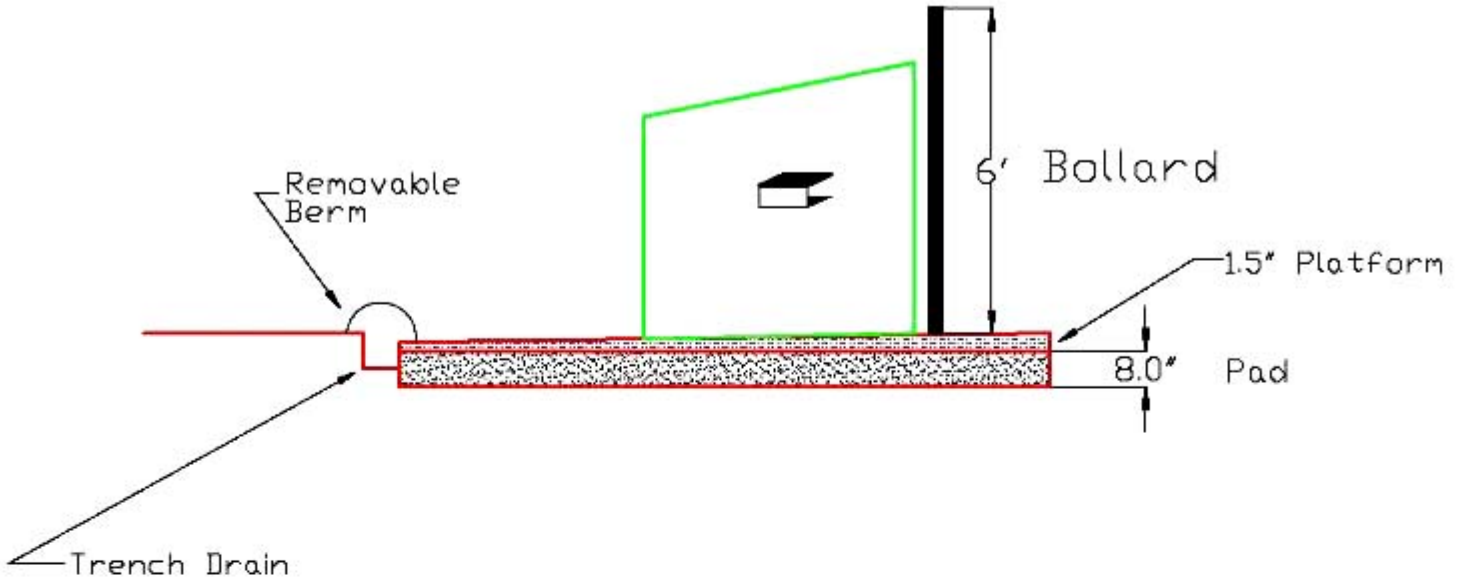
Dumpster With Drain



PLAN VIEW

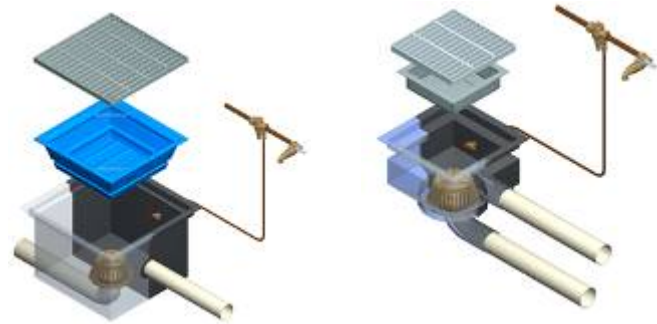
PLAN VIEW

Dumpster With No Drain



Notes:
 All water running off pad must be clean.
 Pad is elevated 1.5' and sloped very slightly toward trench drain or removable berm.

Examples of Good Dumpster Pad Construction



Special Drain

Thank you very much for recognizing the importance of our streams as a valuable natural resource and your help in the protection and improvement of the streams within Metro Nashville/Davidson County.

This publication is a public service of:
Metro Water Services-NPDES Program
Storm Water Quality Control Team
1607 County Hospital Road
Nashville, TN 37218
Phone (615) 880-2420
www.nashville.gov/stormwater



Metro Water Services is in the process of complying with all appropriate Americans with Disabilities Act Guidelines. For additional information contact the safety office at 1600 2nd Avenue North, Nashville, TN 37208-2206; telephone 615-862-4862.