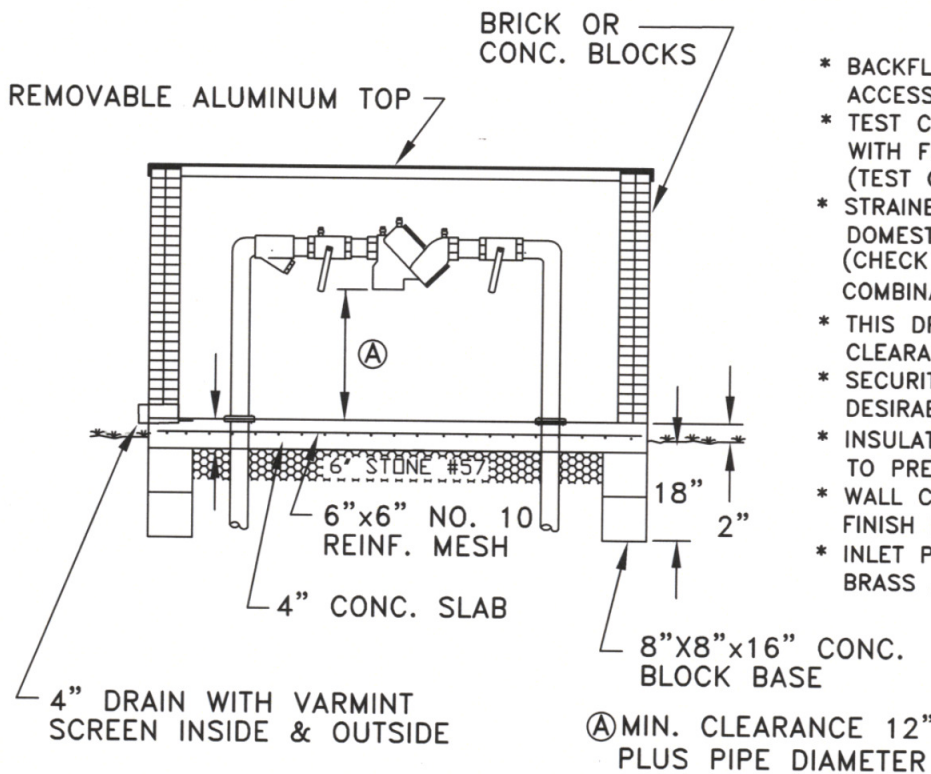


PLAN



SIDE SECTION

NOTES

- \* BACKFLOW DEVICE TO REMAIN ACCESSIBLE AT ALL TIMES.
- \* TEST COCKS ARE TO BE PROVIDED WITH FLARED ADAPTOR & CAPS (TEST CONNECTIONS).
- \* STRAINER REQUIRED ON ALL DOMESTIC BACKFLOW DEVICES. (CHECK WITH FIRE MARSHALL FOR COMBINATION LINES).
- \* THIS DRAWING INDICATES MINIMUM CLEARANCE AND ACCESS ONLY.
- \* SECURITY PROCEDURES MAY BE DESIRABLE.
- \* INSULATION/HEAT RECOMMENDED TO PREVENT FREEZING.
- \* WALL CONSTRUCTION AND OUTSIDE FINISH IS OPTIONAL WITH OWNER.
- \* INLET PIPING MUST BE OF COPPER, BRASS AND/OR DUCTILE IRON.

INSTALL ALL ITEMS ACCORDING TO MANUFACTURERS SPECIFICATIONS

METRO WATER SERVICES  
 BACKFLOW PREVENTER BOX  
 FOR 3/4" THROUGH 1"  
 (DOMESTIC & FIRE LINES)

*Hal Battrop*  
 LICENSED DISTRIBUTION OPERATOR

NOT TO SCALE | DATE: 3/12/07

DWG. NO. CDETBF04



*J. W. Fitter*

DIRECTOR OF WATER AND SEWERAGE SERVICES