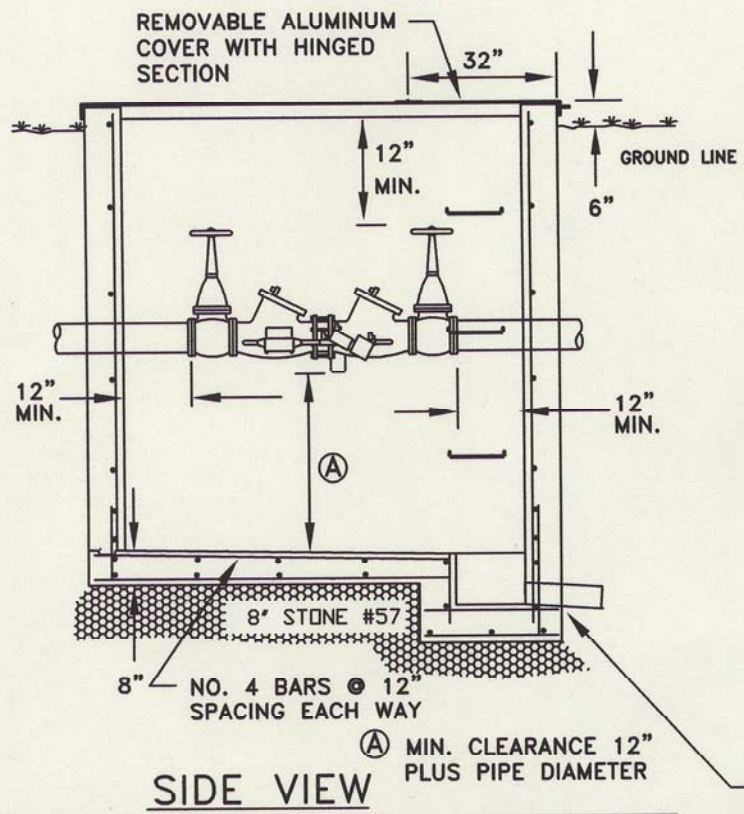


12"x12"x12"
WELL
PLAN

END VIEW
NOTES



SIDE VIEW

- * BACKFLOW DEVICE TO REMAIN ACCESSABLE AT ALL TIMES.
 - * TEST COCKS ARE TO BE PROVIDED WITH NIPPLES & CAPS.
 - * THIS DRAWING INDICATES MINIMUM CLEARANCE AND ACCESS ONLY.
 - * SECURITY PROCEDURES MAY BE DESIRABLE.
 - * PIT OR VALVE IS TO BE OF WATER TIGHT CONSTRUCTION.
 - * CONSTRUCTED SO IT WILL NOT FLOOD.
 - * MUST BE WELL DRAINED. DISCHARGED TO ATMOSPHERE ABOVE FLOOD PLAIN.
 - * MUST USE SUMP PUMP IF GRAVITY DRAIN IS NOT FEASIBLE.
 - * PROVIDED WITH ACCESS LADDER AND ADEQUATE LIGHTING.
 - * TEST COCKS ARE TO BE PROTECTED WITH WATER TIGHT PLUGS.
 - * ALL FIRE SYSTEMS (INCLUDING COMBINATION SYSTEMS) MUST HAVE FULL RESILIENT SEATED O.S.&Y. GATE VALVES.
- 6" DRAIN TO SURFACE WHEN POSSIBLE—SUMP PUMP MAY BE REQUIRED IN SOME LOCATIONS.

INSTALL ALL ITEMS ACCORDING TO MANUFACTURERS SPECIFICATIONS

METRO WATER SERVICES
BACKFLOW PREVENTER VAULT
FOR 2-1/2" THROUGH 8"
DOUBLE CHECK VALVE ASSEMBLY

NOT TO SCALE | DATE: 2/25/05

DWG. NO. CDETF05

METRO
WATER SERVICES

Hal Balthing
 LICENSED DISTRIBUTION OPERATOR

J. P. [Signature]
 DIRECTOR OF WATER AND SEWERAGE SERVICES