

This document, together with the concepts and designs presented herein, is intended only for the specific purpose and client for which it was prepared. Reuse of and improper reliance on this document without written authorization and adaptation by Kimley-Horn and Associates, Inc. shall be without liability to Kimley-Horn and Associates, Inc.



LEGEND

 **SPEED CUSHION**

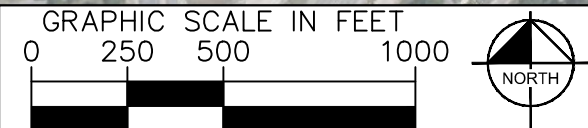
ESTIMATED QUANTITIES	
SPEED CUSHIONS	
6' X 10.5' SPEED CUSHION WITH ONE ARROW	4
SIGNS	
W17-1 (VAR.) "SPEED CUSHION" SIGN (30" X 30")	4
W13-1P "20 M.P.H" SIGN (18" X 18")	4



**KELLOW STREET
TRAFFIC CALMING**
NASHVILLE, TN



DESIGNED BY:	RBW
DRAWN BY:	EMT
CHECKED BY:	NDOT
DATE:	1/6/2023
KIMLEY-HORN PROJECT NO.	118800030



KEY
SHEET NUMBER
01



**SPEED CUSHION
CONFIGURATION A
CENTERED 15' FROM
DRIVEWAY OF 1105 AND 1107
KELLOW STREET**



**KELLOW STREET
TRAFFIC CALMING**
NASHVILLE, TN



Kimley & Horn

DESIGNED BY:	RBW
DRAWN BY:	EMT
CHECKED BY:	NDOT
DATE:	1/6/2023
KIMLEY-HORN PROJECT NO.:	11800030

CONCEPT PLAN
SHEET NUMBER
02



BUENA VISTA PARK



20
M.P.H.

KELLOW ST

**SPEED CUSHION CONFIGURATION A
CENTERED 110' FROM
EACH SCHOOL
DRIVEWAY**

11TH AVE N

**HULL JACKSON
ELEMENTARY SCHOOL**

10TH AVE N

PONDER PL

NDOT

**KELLOW STREET
TRAFFIC CALMING**
NASHVILLE, TN

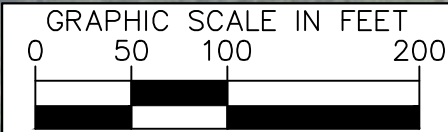


Kimley & Horn

DESIGNED BY: RBW
DRAWN BY: EMT
CHECKED BY: NDOT
DATE: 1/8/2023
KIMLEY-HORN PROJECT NO. 118800030

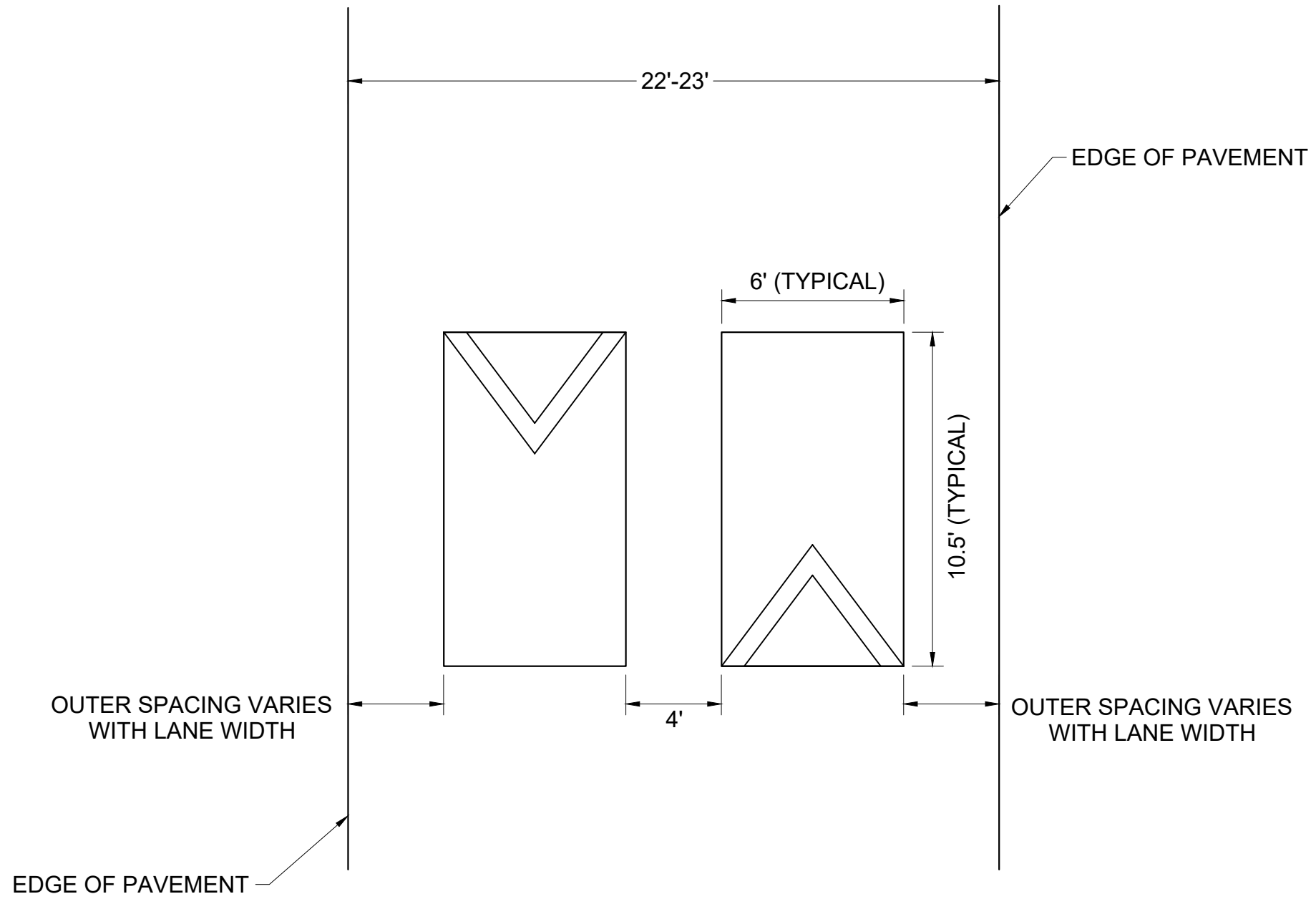
CONCEPT PLAN

SHEET NUMBER
03

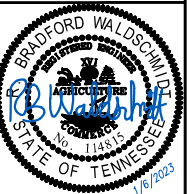


This document, together with the concepts and designs presented herein, is intended only for the specific purpose and client for which it was prepared. Reuse of and improper reliance on this document without written authorization and adaptation by Kimley-Horn and Associates, Inc. shall be without liability to Kimley-Horn and Associates, Inc.

SPEED CUSHION: CONFIGURATION A



KELLOW STREET
TRAFFIC CALMING
NASHVILLE, TN



DESIGNED BY:	RBW
DRAWN BY:	EMT
CHECKED BY:	NDOT
DATE:	1/6/2023
KIMLEY-HORN PROJECT NO. 118800030	

DETAIL

SHEET NUMBER
04