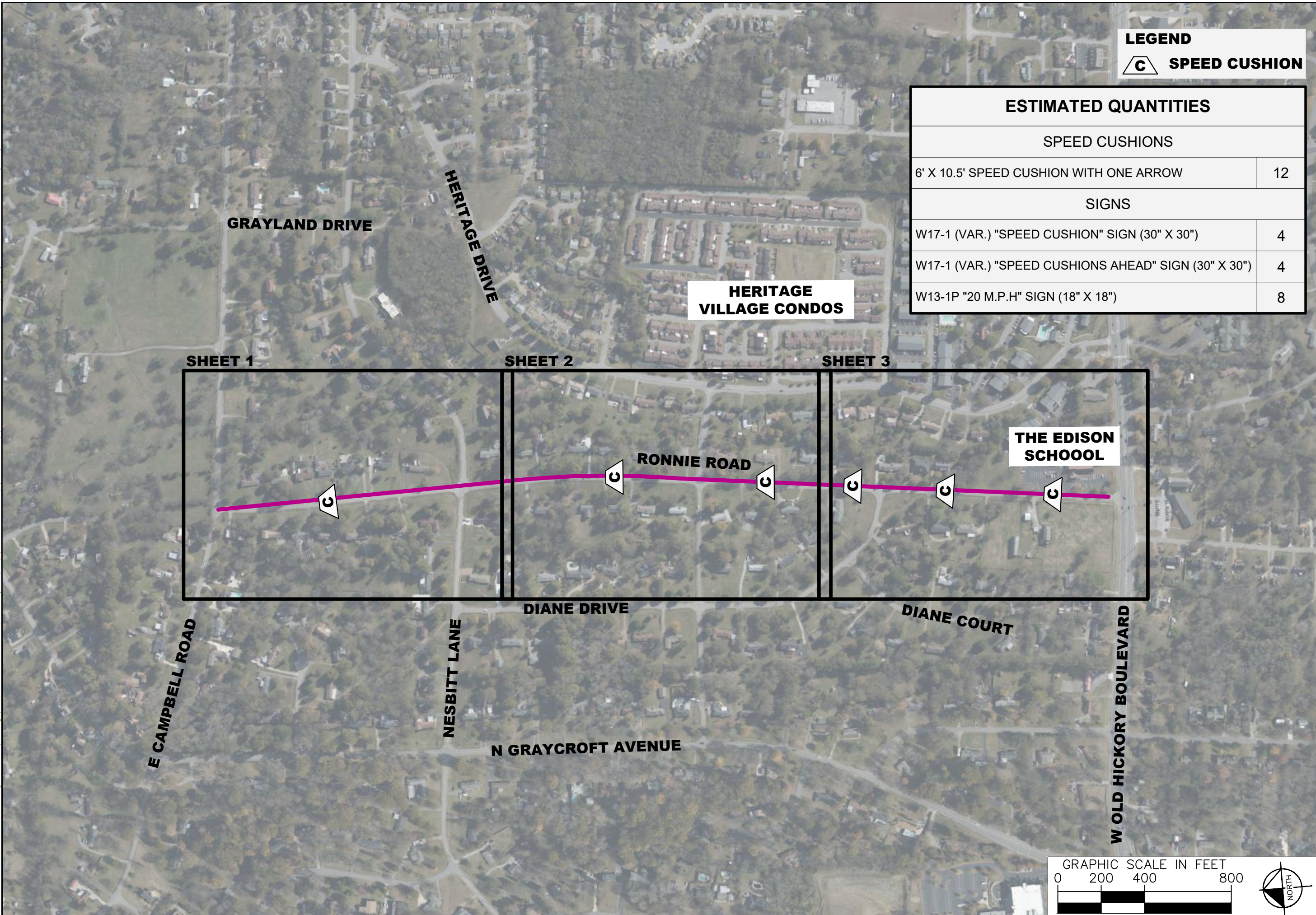


This document, together with the concepts and designs presented herein, is intended only for the specific purpose and client for which it was prepared. Reuse of and improper reliance on the document without written authorization and adaptation by Kimley-Horn and Associates, Inc. shall be without liability to Kimley-Horn and Associates, Inc.



LEGEND	
	SPEED CUSHION

ESTIMATED QUANTITIES	
SPEED CUSHIONS	
6' X 10.5' SPEED CUSHION WITH ONE ARROW	12
SIGNS	
W17-1 (VAR.) "SPEED CUSHION" SIGN (30" X 30")	4
W17-1 (VAR.) "SPEED CUSHIONS AHEAD" SIGN (30" X 30")	4
W13-1P "20 M.P.H" SIGN (18" X 18")	8

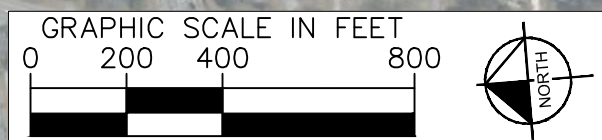


**RONNIE ROAD**  
**TRAFFIC CALMING**  
 NASHVILLE, TN

**DRAFT**  
**PRELIMINARY**  
**PLANS**  
 FOR REVIEW ONLY

NO.	REVISIONS	DATE	BY
1			
2			
3			
4			
5			
6			
7			
8			
9			
10			

DESIGNED BY:	DEF
DRAWN BY:	EMT
CHECKED BY:	NDOT
DATE:	10/31/2022
KIMLEY-HORN PROJECT NO. 11890005	





This document, together with the concepts and designs presented herein, is an instrument of service. It is intended only for the specific purpose and client for which it was prepared. Reuse of and improper reliance on the document without written authorization and adaptation by Kimley-Horn and Associates, Inc. shall be without liability to Kimley-Horn and Associates, Inc.

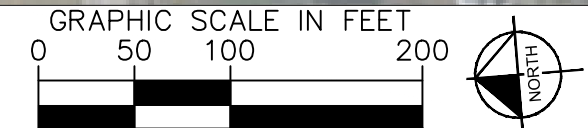


**RONNIE ROAD  
TRAFFIC CALMING  
NASHVILLE, TN**

**DRAFT  
PRELIMINARY  
PLANS  
FOR REVIEW ONLY**

NO.	REVISIONS	DATE	BY
1			
2			
3			
4			
5			
6			
7			
8			
9			
10			

DESIGNED BY: \_\_\_\_\_ DEF  
DRAWN BY: \_\_\_\_\_ EMT  
CHECKED BY: \_\_\_\_\_ NDOT  
DATE: 10/31/2022  
KIMLEY-HORN PROJECT NO. 11890005



© 2022 Microsoft Corp

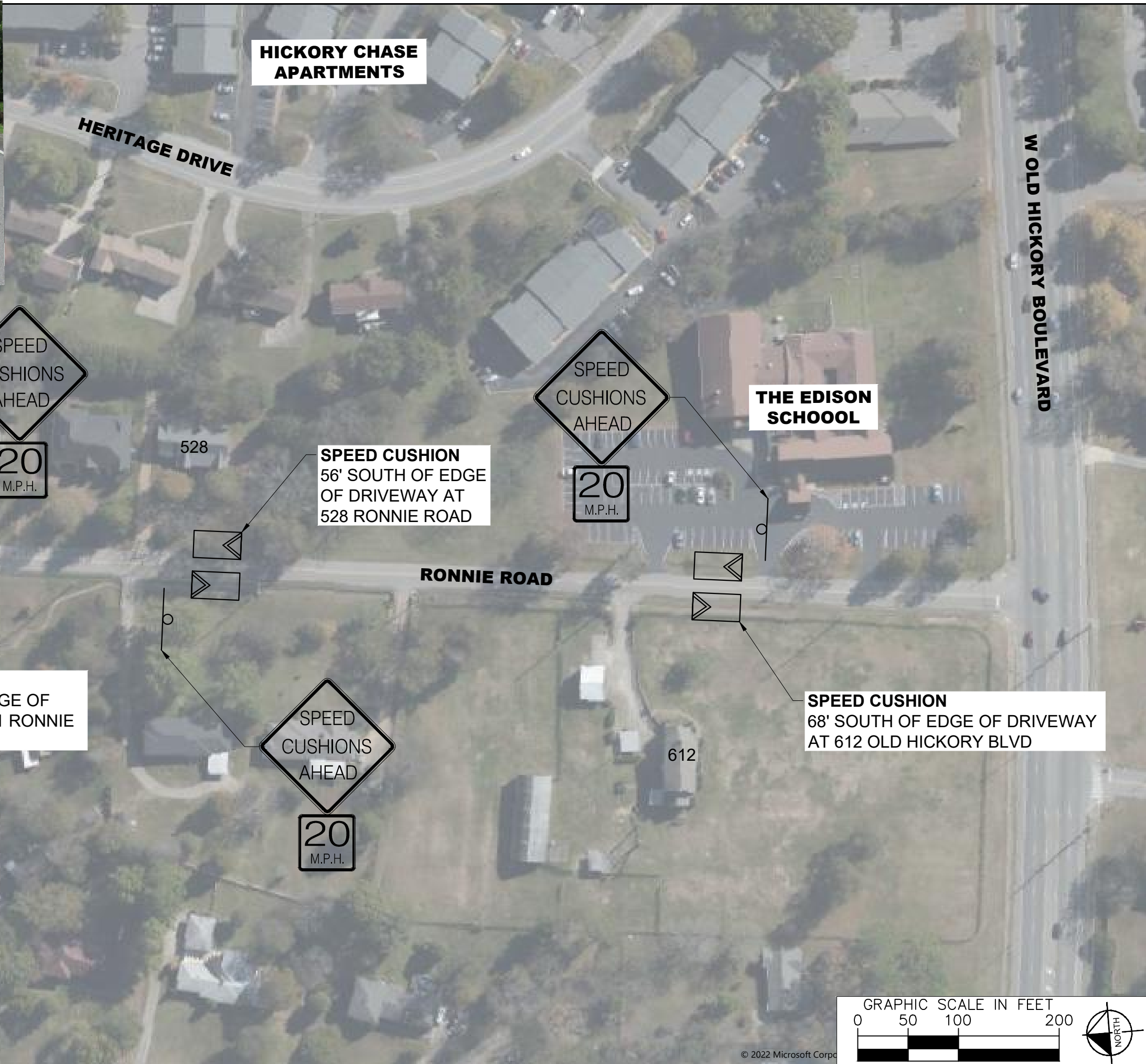
This document, together with the concepts and designs presented herein, is an instrument of service. It is intended only for the specific purpose and client for which it was prepared. Reuse of and improper reliance on the documents without written authorization and adaptation by Kimley-Horn and Associates, Inc. shall be without liability to Kimley-Horn and Associates, Inc.



NO.	DATE	BY	REVISIONS
1			
2			
3			
4			
5			
6			
7			
8			
9			
10			

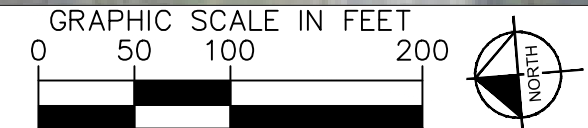
DESIGNED BY:	DEF
DRAWN BY:	EMT
CHECKED BY:	NDOT
DATE:	10/31/2022
KIMLEY-HORN PROJECT NO. 11890005	
CONCEPT PLAN	
SHEET NUMBER	
<b>03</b>	





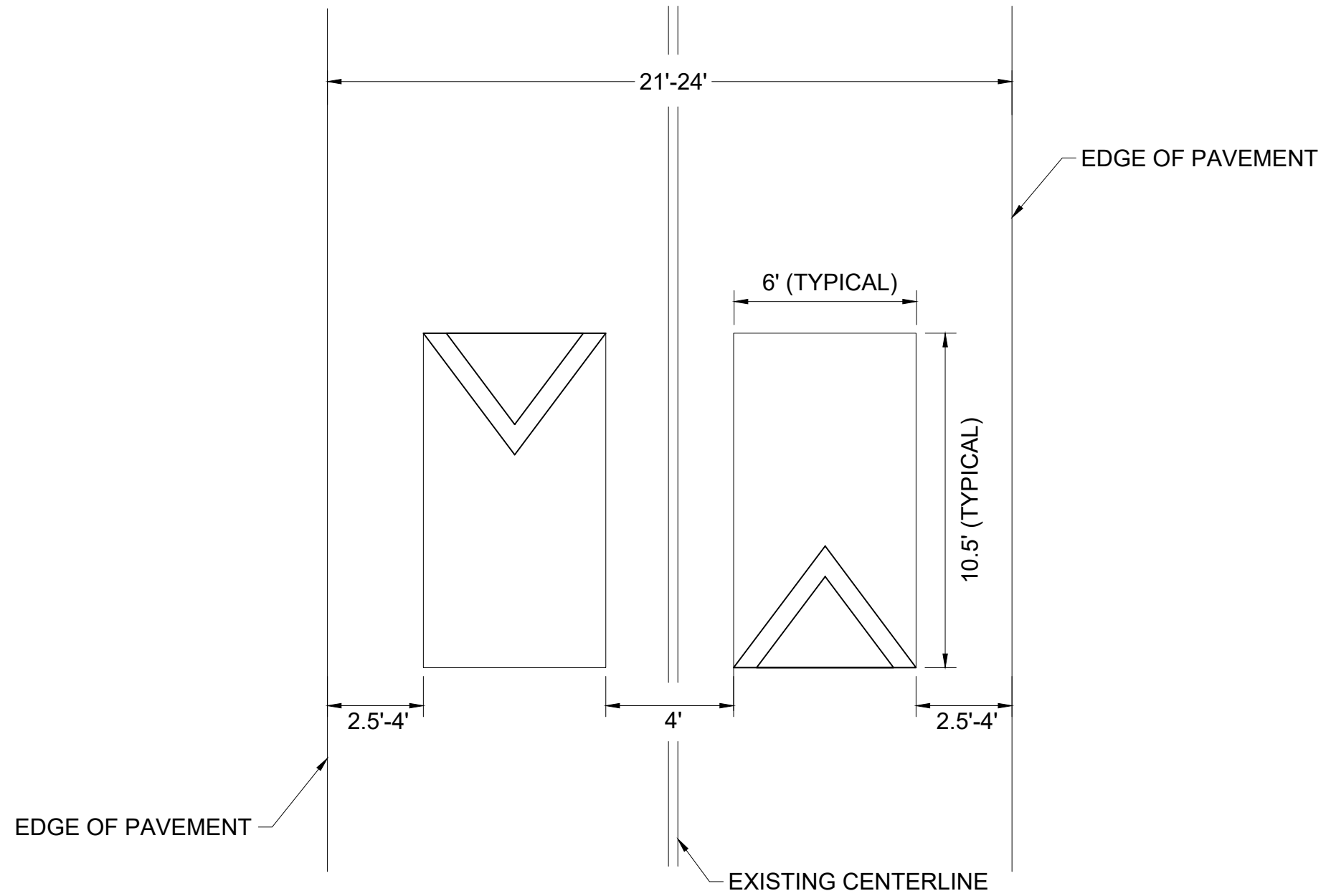
NO.	DATE	BY	REVISIONS
1			
2			
3			
4			
5			
6			
7			
8			
9			
10			

DESIGNED BY:	DEF
DRAWN BY:	EMT
CHECKED BY:	NDOT
DATE:	10/31/2022
KIMLEY-HORN PROJECT NO. 11890005	



This document, together with the concepts and designs presented herein, is intended only for the specific purpose and client for which it was prepared. Reuse of and improper reliance on the documents without written authorization and signature by Kimley-Horn and Associates, Inc. shall be without liability to Kimley-Horn and Associates, Inc.

### SPEED CUSHION CONFIGURATION



RONNIE ROAD  
TRAFFIC CALMING  
NASHVILLE, TN

DRAFT  
PRELIMINARY  
PLANS  
FOR REVIEW ONLY

NO.	REVISIONS	DATE	BY
1			
2			
3			
4			
5			
6			
7			
8			
9			
10			

DESIGNED BY: DEF  
 DRAWN BY: EMT  
 CHECKED BY: NDOT  
 DATE: 10/31/2022  
 KIMLEY-HORN PROJECT NO. 11890005

DETAIL

SHEET NUMBER  
**05**