



## State of New Jersey

DEPARTMENT OF ENVIRONMENTAL PROTECTION

Bureau of Nonpoint Pollution Control

Division of Water Quality

401-02B

Post Office Box 420

Trenton, New Jersey 08625-0420

609-633-7021 Fax: 609-777-0432

[http://www.state.nj.us/dep/dwq/bnpc\\_home.htm](http://www.state.nj.us/dep/dwq/bnpc_home.htm)

KIM GUADAGNO

CHRIS CHRISTIE

*Governor*

*Lt. Governor*

BOB MARTIN

*Commissioner*

**September 18, 2017**

Daniel J. Figola, P.E.  
General Manager  
BaySaver Technologies, LLC  
1030 Deer Hollow Drive  
Mt. Airy, MD 21771

Re: MTD Lab Certification  
BaySaver Barracuda™ Hydrodynamic Separator by BaySaver Technologies, LLC  
Online Installation

### **TSS Removal Rate 50%**

Dear Mr. Figola:

The Stormwater Management rules under N.J.A.C. 7:8-5.5(b) and 5.7 (c) allow the use of manufactured treatment devices (MTDs) for compliance with the design and performance standards at N.J.A.C. 7:8-5 if the pollutant removal rates have been verified by the New Jersey Corporation for Advanced Technology (NJCAT) and have been certified by the New Jersey Department of Environmental Protection (NJDEP). BaySaver Technologies, LLC has requested an MTD Laboratory Certification for the BaySaver Barracuda™ Hydrodynamic Separator (BaySaver Barracuda).

The project falls under the "Procedure for Obtaining Verification of a Stormwater Manufactured Treatment Device from New Jersey Corporation for Advance Technology" dated January 25, 2013. The applicable protocol is the "New Jersey Laboratory Testing Protocol to Assess Total Suspended Solids Removal by a Hydrodynamic Sedimentation Manufactured Treatment Device" dated January 25, 2013.

NJCAT verification documents submitted to the NJDEP indicate that the requirements of the aforementioned protocol have been met or exceeded. The NJCAT letter also included a recommended certification TSS removal rate and the required maintenance plan. The NJCAT Verification Report with the Verification Appendix (dated September 2017) for this device is published online at <http://www.njcat.org/verification-process/technology-verification-database.html>.

**The NJDEP certifies the use of the BaySaver Barracuda by BaySaver Technologies, LLC at a TSS removal rate of 50% when designed, operated, and maintained in accordance with the information provided in the Verification Appendix and the following conditions:**

1. The maximum treatment flow rate (MTFR) for the manufactured treatment device (MTD) is calculated using the New Jersey Water Quality Design Storm (1.25 inches in 2 hrs) in N.J.A.C. 7:8-5.5.
2. The BaySaver Barracuda shall be installed using the same configuration reviewed by NJCAT and shall be sized in accordance with the criteria specified in item 6 below.
3. This BaySaver Barracuda cannot be used in series with another MTD or a media filter (such as a sand filter) to achieve an enhanced removal rate for total suspended solids (TSS) removal under N.J.A.C. 7:8-5.5.
4. Additional design criteria for MTDs can be found in Chapter 9.6 of the New Jersey Stormwater Best Management Practices (NJ Stormwater BMP) Manual, which can be found online at [www.njstormwater.org](http://www.njstormwater.org).
5. The maintenance plan for a site using this device shall incorporate, at a minimum, the maintenance requirements for the BaySaver Barracuda. A copy of the maintenance plan is attached to this certification. However, it is recommended to review the maintenance website at [http://www.ads-pipe.com/pdf/en/Barracuda\\_Maintenance\\_07\\_17.pdf](http://www.ads-pipe.com/pdf/en/Barracuda_Maintenance_07_17.pdf) for any changes to the maintenance requirements.
6. Sizing Requirement:

The example below demonstrates the sizing procedure for the BaySaver Barracuda:

Example: A 0.25-acre impervious site is to be treated to 50% TSS removal using a BaySaver Barracuda. The impervious site runoff (Q) based on the New Jersey Water Quality Design Storm was determined to be 0.79 cfs.

Maximum Treatment Flow Rate (MTFR) Evaluation:

The site runoff (Q) was based on the following:

time of concentration = 10 minutes

i = 3.2 in/hr (page 5-8, Fig. 5-3 of the NJ Stormwater BMP Manual)

c = 0.99 (curve number for impervious)

$Q = ciA = 0.99 \times 3.2 \times 0.25 = 0.79$  cfs

Given the site runoff is 0.79 cfs and based on Table 1 below, the Barracuda Model S4 with a MTFR of 1.25 cfs could be used for this site to remove 50% of the TSS from the impervious area without exceeding the MTFR.

The sizing table corresponding to the available system models is noted below. Additional specifications regarding each model can be found in the Verification Appendix under Table A-1.

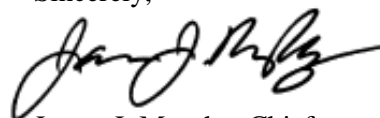
**Table 1 BaySaver Barracuda Sizing Information**

<b>Barracuda Model</b>	<b>NJDEP 50% TSS Maximum Treatment Flow Rate (cfs)</b>	<b>Treatment Area (ft<sup>2</sup>)</b>	<b>Hydraulic Loading Rate (gpm/ft<sup>2</sup>)</b>	<b>50% Maximum Sediment Storage (ft<sup>3</sup>)</b>
S3	0.70	7.07	44.6	5.89
S4	1.25	12.57	44.6	10.47
S5	1.95	19.63	44.6	16.36
S6	2.80	28.27	44.6	23.56
S8	5.00	50.27	44.6	41.89
S10	7.80	78.54	44.6	65.45

A detailed maintenance plan is mandatory for any project with a Stormwater BMP subject to the Stormwater Management Rules, N.J.A.C. 7:8. The plan must include all of the items identified in the Stormwater Management Rules, N.J.A.C. 7:8-5.8. Such items include, but are not limited to, the list of inspection and maintenance equipment and tools, specific corrective and preventative maintenance tasks, indication of problems in the system, and training of maintenance personnel. Additional information can be found in Chapter 8: Maintenance and Retrofit of Stormwater Management Measures.

If you have any questions regarding the above information, please contact Mr. Shashi Nayak of my office at (609) 633-7021.

Sincerely,



James J. Murphy, Chief  
Bureau of Nonpoint Pollution Control

Attachment: Maintenance Plan

cc: Chron File  
Richard Magee, NJCAT  
Vince Mazzei, NJDEP - DLUR  
Ravi Patraju, NJDEP - BES  
Gabriel Mahon, NJDEP - BNPC  
Shashi Nayak, NJDEP - BNPC

# Maintenance Guide

BaySaver Barracuda

July 2017

One of the advantages of the BaySaver Barracuda is the ease of maintenance. Like any system that collects pollutants, the BaySaver Barracuda must be maintained for continued effectiveness. Maintenance is a simple procedure performed using a vacuum truck or similar equipment. The systems were designed to minimize the volume of water removed during routine maintenance, reducing disposal costs.

Contractors can access the pollutants stored in the manhole through the manhole cover. This allows them to gain vacuum hose access to the bottom of the manhole to remove sediment and trash. There is no confined space entry necessary for inspection or maintenance.

The entire maintenance procedure typically takes from 2 to 4 hours, depending on the size of the system, the captured material, and the capacity of the vacuum truck.

Local regulations may apply to the maintenance procedure. Safe and legal disposal of pollutants is the responsibility of the maintenance contractor. Maintenance should be performed only by a qualified contractor.

## Inspection and Cleaning Cycle

Periodic inspection is needed to determine the need for and frequency of maintenance. You should begin inspecting as soon as construction is complete and thereafter on an annual basis. Typically, the system needs to be cleaned every 1-3 years.

Excessive oils, fuels or sediments may reduce the maintenance cycle. Periodic inspection is important.

## Determining When to Clean

To determine the sediment depth, the maintenance contractor should lower a stadia rod into the manhole until it contacts the top of the captured sediment and mark that spot on the rod. Then push the probe through to the bottom of the sump and mark that spot to determine sediment depth.

Maintenance should occur when the sediment has reached the levels indicated in the Storage Capacity Chart.

## BaySaver Barracuda Storage Capacities

Model	Manhole Diameter	Treatment Chamber Capacity	Standard Sediment Capacity (20" depth)	NJDEP Sediment Capacity (50% of standard depth)
S3	36"	212 gallons	0.44 cubic yards	0.22 cubic yards
S4	48"	564 gallons	0.78 cubic yards	0.39 cubic yards
S5	60"	881 gallons	1.21 cubic yards	0.61 cubic yards
S6	72"	1269 gallons	1.75 cubic yards	0.88 cubic yards
S8	96"	3835 gallons	3.10 cubic yards	1.55 cubic yards
S10	120"	7496 gallons	4.85 cubic yards	2.43 cubic yards

## Maintenance Instructions

1. Remove the manhole cover to provide access to the pollutant storage. Pollutants are stored in the sump, below the bowl assembly visible from the surface. You'll access this area through the 10" diameter access cylinder.



2. Use a vacuum truck or other similar equipment to remove all water, debris, oils and sediment. See figure 1.
3. Use a high pressure hose to clean the manhole of all the remaining sediment and debris. Then, use the vacuum truck to remove the water.
4. Fill the cleaned manhole with water until the level reaches the invert of the outlet pipe.
5. Replace the manhole cover.
6. Dispose of the polluted water, oils, sediment and trash at an approved facility.
  - Local regulations prohibit the discharge of solid material into the sanitary system. Check with the local sewer authority for authority to discharge the liquid.
  - Some localities treat the pollutants as leachate. Check with local regulators about disposal requirements.
  - Additional local regulations may apply to the maintenance procedure.

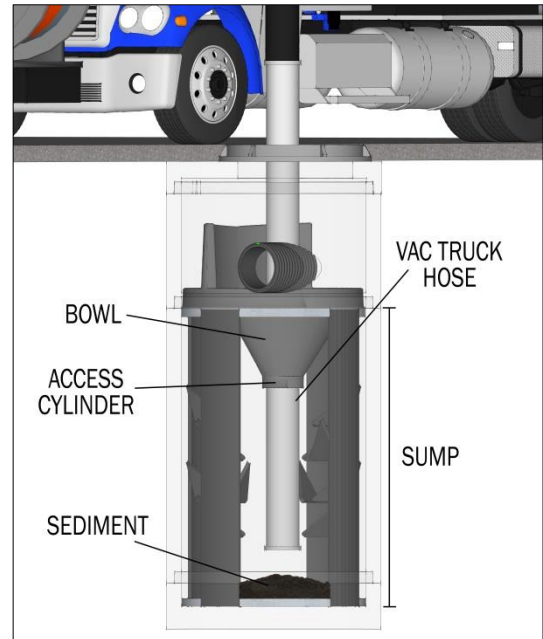


Figure 1