



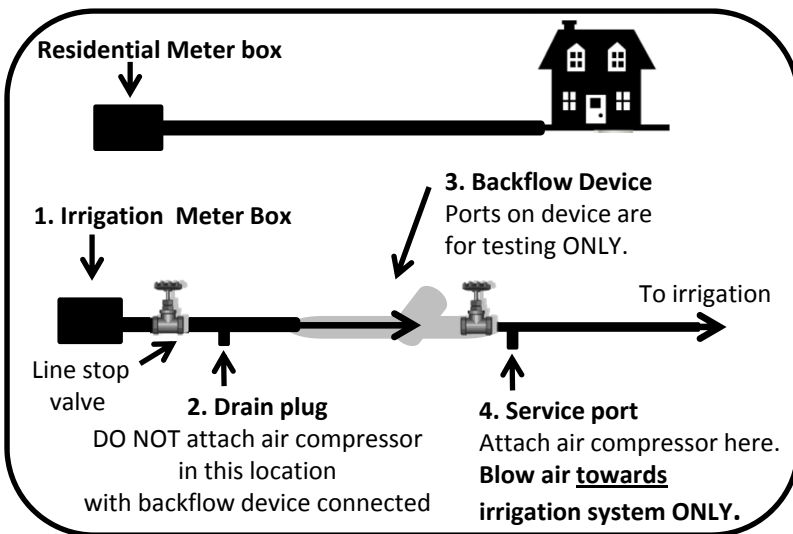
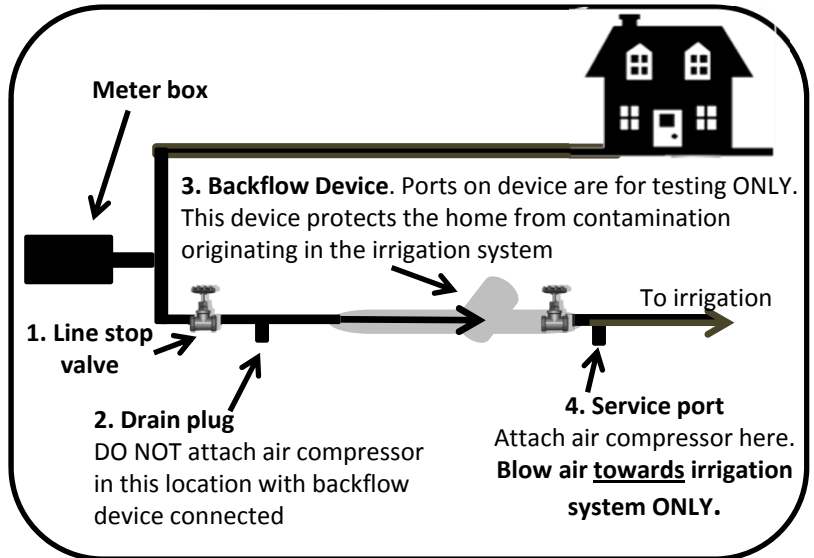
## Guidelines to Winterize Irrigation Systems

The guidelines below provide options for winterizing the irrigation system without damaging the backflow device and possibly contaminating the public water supply.

**Avoid blowing air through the backflow device which may damage the device.**

For **combination residential/irrigation meters**:

1. Close the line stop valve to the irrigation system.
2. Open the drain plug to drain the line between the meter and the backflow device.
3. It is preferable to remove the backflow from the line. If the backflow device is left in place, close the #1 and #2 shut off valve and drain the device.
4. A service port should be installed behind the backflow. This port can be used to blow air through the irrigation system (see diagram).



For **irrigation only meters**:

1. Turn off the water at the meter box.
2. Open the drain plug to drain the line between the meter and the backflow device.
3. It is preferable to remove the backflow from the line. If the backflow device is left in place, drain the device.
4. A service port should be installed behind the backflow. This port can be used to blow air through the irrigation system (see diagram).

**Backflow preventers protect the public water supply.**

- Valves are NOT permitted on drain plugs or service ports.
- On drain plugs, use threaded male ONLY.
- NO connections or modifications are permitted inside the meter box.
- All backflow prevention devices are mandated by Metro Water Services to be tested annually.

For more information, contact:  
MWS Cross Connection Department  
615-862-4872 | [mwscrossconnection@nashville.gov](mailto:mwscrossconnection@nashville.gov)