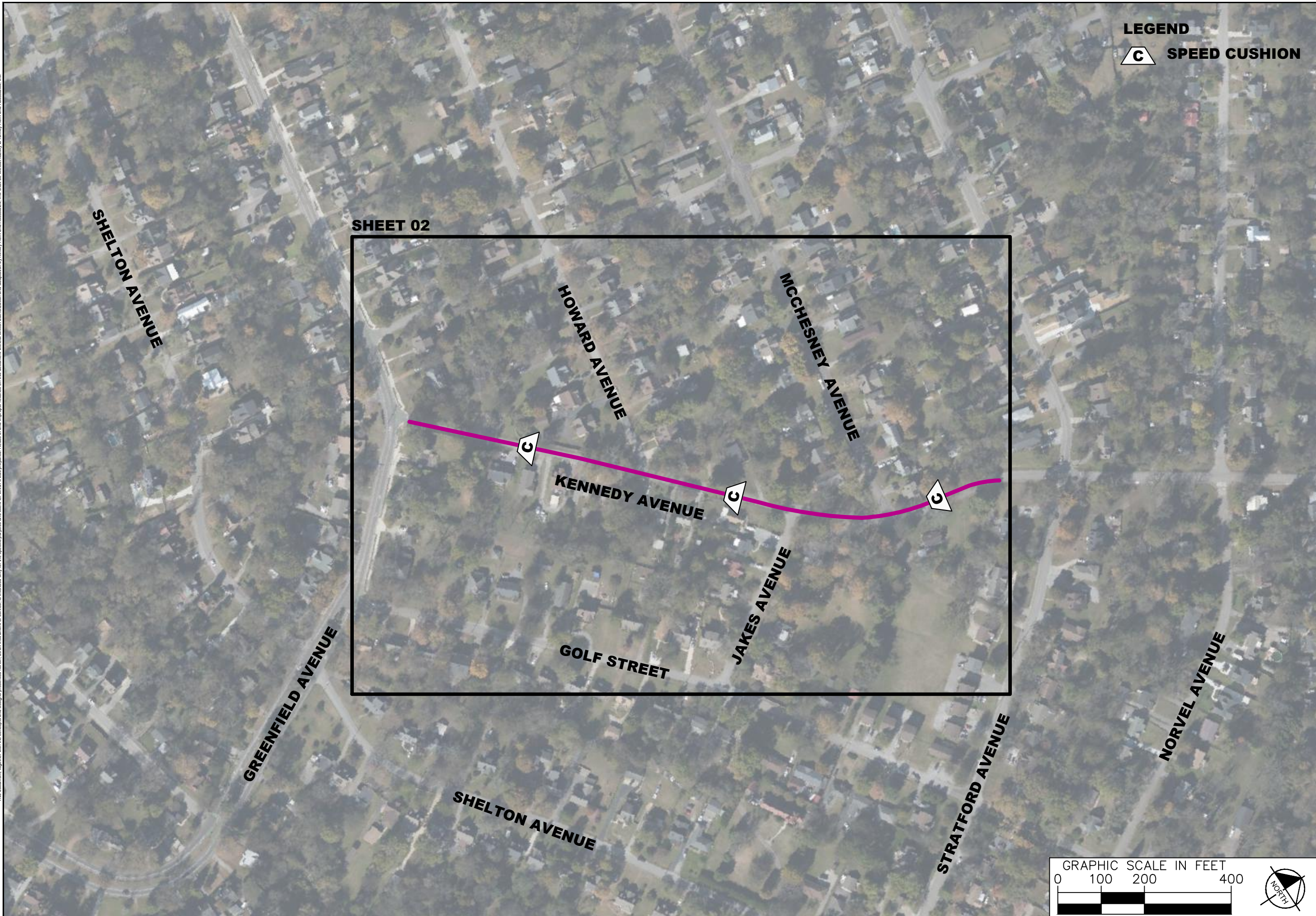


This document, together with the concepts and designs presented herein, is intended only for the specific purpose and client for which it was prepared. Reuse of and improper reliance on this document without written authorization and adaptation by Kimley-Horn and Associates, Inc. shall be without liability to Kimley-Horn and Associates, Inc.



**SHEET 02**

**LEGEND**  
 **SPEED CUSHION**



**KENNEDY AVENUE  
 TRAFFIC CALMING**  
 NASHVILLE, TN

**DRAFT  
 PRELIMINARY  
 PLANS**  
 FOR REVIEW ONLY

| NO. | REVISIONS | DATE | BY |
|-----|-----------|------|----|
| 1   |           |      |    |
| 2   |           |      |    |
| 3   |           |      |    |
| 4   |           |      |    |
| 5   |           |      |    |
| 6   |           |      |    |
| 7   |           |      |    |
| 8   |           |      |    |
| 9   |           |      |    |
| 10  |           |      |    |

DESIGNED BY: SJC  
 DRAWN BY: SJC  
 CHECKED BY: NDOT  
 DATE: 11/21/2022  
 KIMLEY-HORN PROJECT NO. 118800030

KEY  
 SHEET NUMBER  
**01**





**KENNEDY AVENUE  
TRAFFIC CALMING**  
NASHVILLE, TN

**DRAFT  
PRELIMINARY  
PLANS**  
FOR REVIEW ONLY

| NO. | DATE | BY | REVISIONS |
|-----|------|----|-----------|
| 1   |      |    |           |
| 2   |      |    |           |
| 3   |      |    |           |
| 4   |      |    |           |
| 5   |      |    |           |
| 6   |      |    |           |
| 7   |      |    |           |
| 8   |      |    |           |
| 9   |      |    |           |
| 10  |      |    |           |

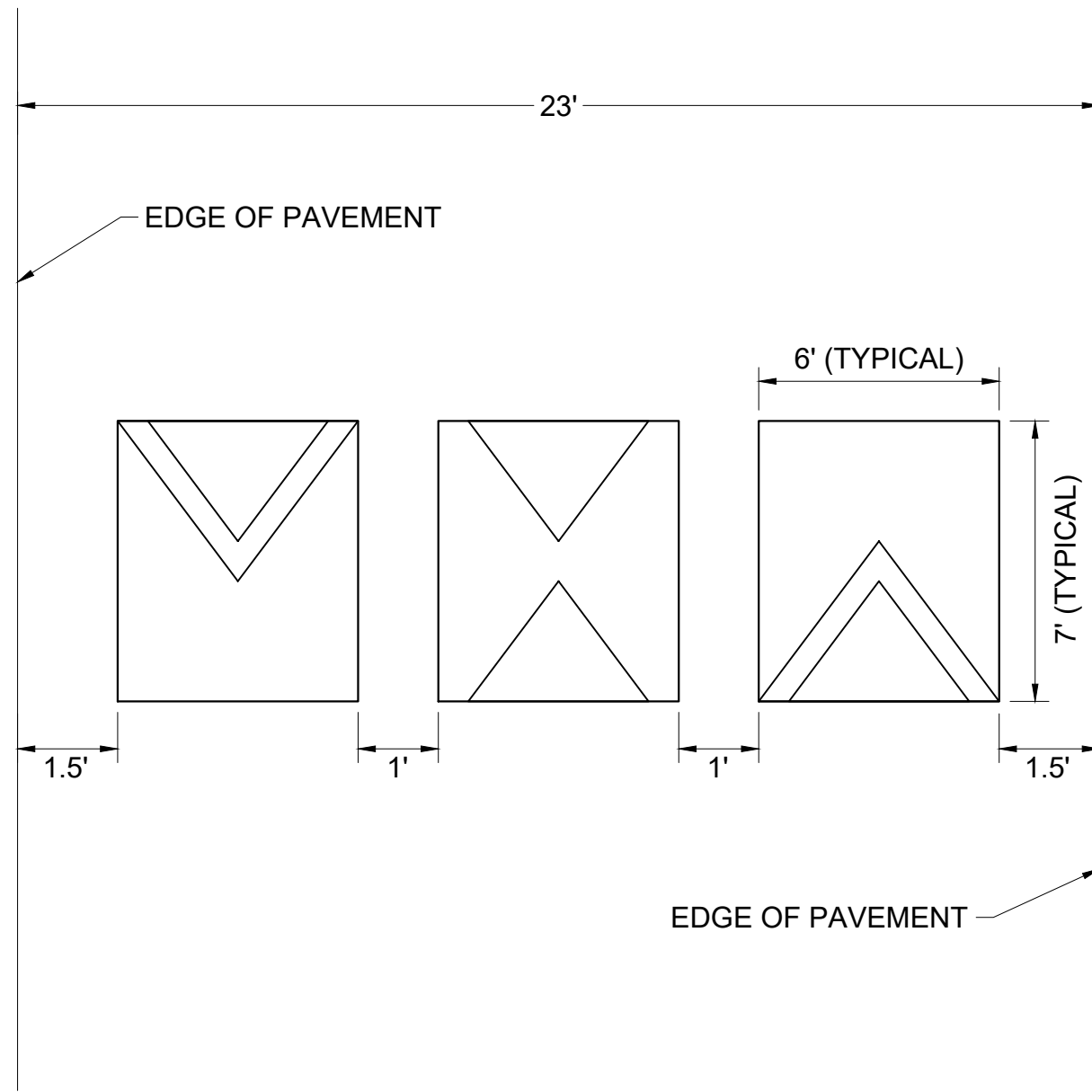
DESIGNED BY: SJC  
 CHECKED BY: NDOT  
 DATE: 11/21/2022  
 KIMLEY-HORN PROJECT NO. 118800030



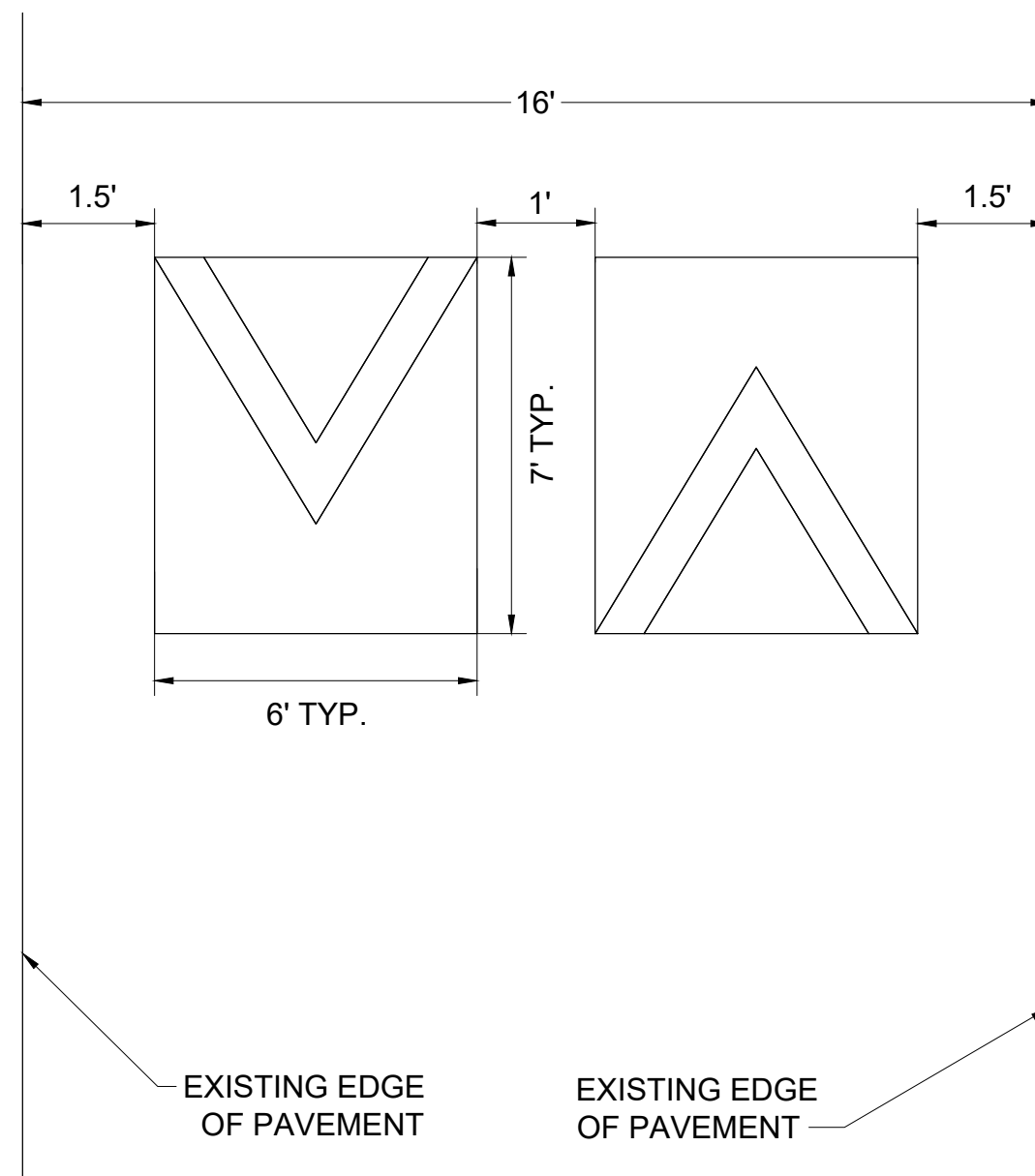
CONCEPT PLAN  
SHEET NUMBER  
**02**



**SPEED CUSHION CONFIGURATION A**



**SPEED CUSHION CONFIGURATION B**



**DRAFT  
PRELIMINARY  
PLANS**  
FOR REVIEW ONLY

| NO. | DATE | BY |
|-----|------|----|
| 1   |      |    |
| 2   |      |    |
| 3   |      |    |
| 4   |      |    |
| 5   |      |    |
| 6   |      |    |
| 7   |      |    |
| 8   |      |    |
| 9   |      |    |
| 10  |      |    |

DESIGNED BY: JH  
 DRAWN BY: SJC  
 CHECKED BY: NDOT  
 DATE: 11/21/2022  
 KIMLEY-HORN PROJECT NO. 118800030

DETAIL

SHEET NUMBER  
**03**

This document, together with the concepts and designs presented herein, is intended only for the specific purpose and client for which it was prepared. Reuse of and improper reliance on this document without written authorization and adaptation by Kimley-Horn and Associates, Inc. shall be without liability to Kimley-Horn and Associates, Inc.